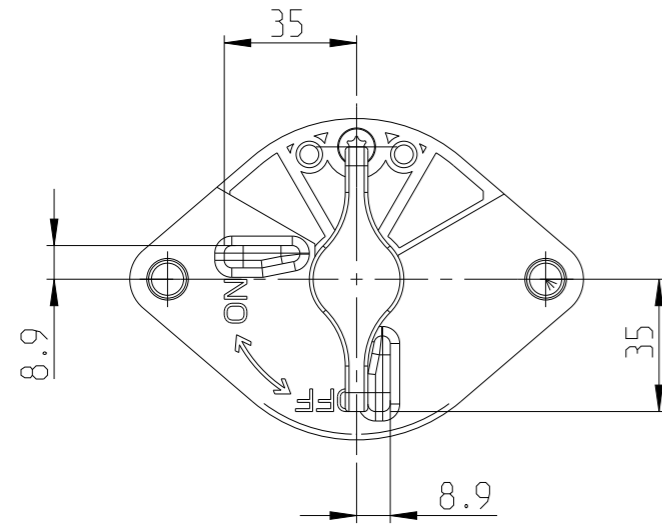
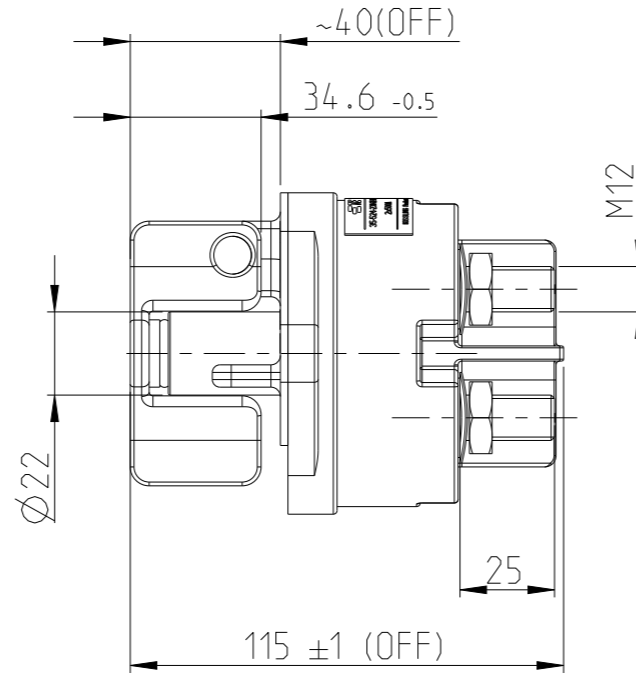
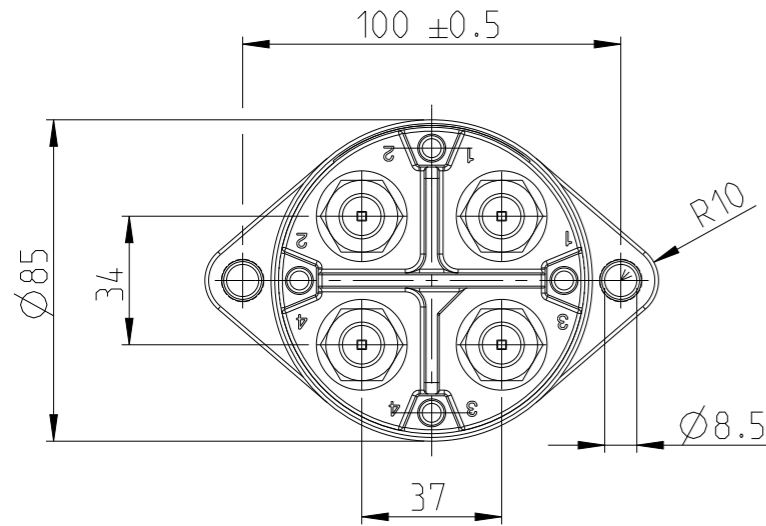


P	LTR	DESCRIPTION	DATE	DWN	APVD
	A	ECN-24-247037	11JAN2024	SS	RB



TECHNICAL DATA

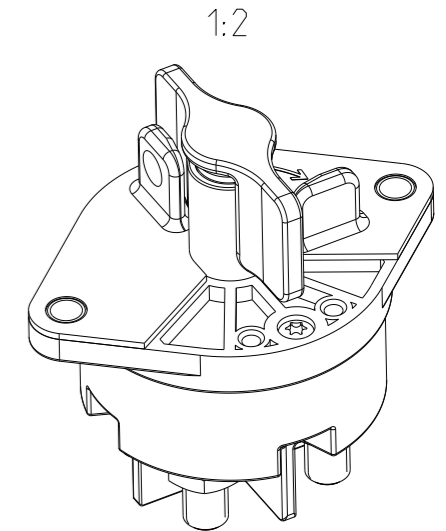
MATERIAL: COVER.....VYNCOLIT BLACK
 BASE PLATE.....PA GF BLACK
 KEY PLATE.....PA GF YELLOW
 SWITCH LEVER.....PA GF YELLOW
 MIN.INSULATION RESISTANCE.....100 MΩ
 DIELECTRIC WITHSTANDING RESISTANCE.....1050V-1min
 MAX.CONTACT DROP DURING RESISTIVE LOAD.....150mV
 VOLTAGE.....TO 32VDC
 DUTY RATING.....2x500A
 OVERLOAD.....2x2000A-1.5min
 SEALING.....IP67 / IEC 529
 VIBRATION.....10G,18-500Hz
 SHOCK G-LEVEL.....50G,11ms
 DUTY SHOCK-6000CYCLES.....40G,6ms
 TEMPERATURE RANGE.....-40°C TO +85°C
 WIRE SECTION (AT NOMINAL LOAD).....MIN.250mm²
 MOUNTING POSITION.....OPTIONAL
 SWITCH LEVER.....NOT REMOVEABLE
LOCKABLE IN "OFF" POSITION
NOT LOCKABLE IN "ON" POSITION
 TORQUE (MAIN CONTACT).....18-22 Nm

Technische Daten

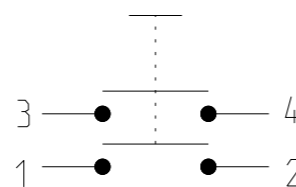
Werkstoff: Haube.....Vyncolit schwarz
 Befestigungssockel.....PA GF schwarz
 Schlosshalter.....PA GF gelb
 Schalthebel.....PA GF gelb
 Min. Isolationswiderstand.....100 MΩ
 Hochspannungsfestigkeit.....1050V-1min
 Max. Kontaktspannungsabfall bei Nennlast.....150mV
 Betriebsspannung.....bis 32 VDC
 Zuständigkeit.....2x500A
 Überlast.....2x2000A-1.5min
 Schutzart.....IP 67 / IEC 529
 Vibration.....10G,18-500Hz
 Schock.....50G,11ms
 Dauerschock-6000zyklen.....40G,6ms
 Umgebungstemperatur.....-40°C bis +85°C
 Anschlussquerschnitt bei Nennlast.....min.250mm²
 Einbaulage.....beliebig
 Schalthebel.....nicht abziehbar
abschliessbar in "OFF" Position
nicht abschliessbar in "ON" Position
 Anzugsmoment (Hauptkontakte).....18-22 Nm

NOTES
Bemerkungen

- 1 TE-CONNECTIVITY ORDER-NUMBER
TE-Connectivity Bestellnummer
- 2 DO NOT SWITCH UNDER LOAD!
Nicht unter Last schalten!



CIRCUIT
Schaltbild



THIS DRAWING IS A CONTROLLED DOCUMENT.

DIMENSIONS: mm	TOLERANCES UNLESS OTHERWISE SPECIFIED: DIN ISO 2768 cL
	0 PLC ± 1 PLC ± 2 PLC ± 3 PLC ± 4 PLC ± ANGLES ±
MATERIAL	FINISH

DWN	15OCT2009
CHK	U.Grindemann
APVD	15OCT2009
APVD	U.Grindemann
PRODUCT SPEC	06MAR2013
APPLICATION SPEC	
WEIGHT	
CUSTOMER DRAWING	

K1137762	A	BATTERY DISCONNECTOR 2x500A Batterietrennschalter 2x500A	685	1
TE ORDER-NO.	REV.	DESCRIPTION	WEIGHT [g]	ITEM NO
		TE TE Connectivity		
		NAME BATTERY DISCONNECTOR 2x500A Batterietrennschalter 2x500A		
SIZE	CAGE CODE	DRAWING NO	RESTRICTED TO	
A3	00779	35-524-231-GE-901	-	
SCALE		SHEET	OF	REV
1:2		1	1	A