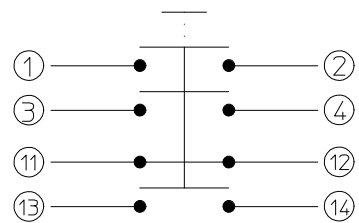


Deutsch Connector:
 Connector Plug Deutsch P/N DT06-4S-E008
 Terminal Socket Deutsch P/N 046220116141
 Lock Second Deutsch W 4S
 Heat shrink 3:1 Di24

Circuit



For this drawing we reserve the copyright in accordance with DIN ISO 16016

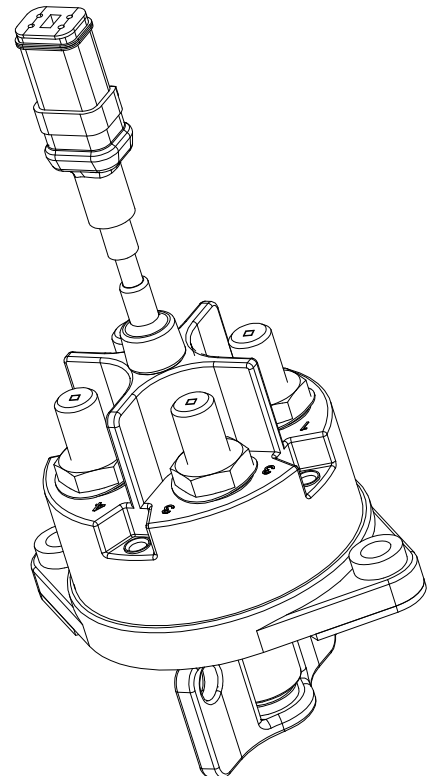
Technical Data:

Case Material Cover	Vyncolit black
Base Plate	PA GF black
Switch Lever Material	PA GF red
Min. Insulation Resistance	100MΩ
Dielectric Withstanding Voltage	1050V-1min.
Max. Contact Drop During Resistive Load	150mV
Voltage	up to 32VDC
Duty Rating	2x500A
Overload	2x2000A-15min. 2x2500A-10sec.

Auxiliary Contact:

Continuous Current	2A
Make and Brake	2A

Sealing	IP 67/ IEC 529
Vibration	10G/ 18-500Hz
Weight	750g / 1.65 Pound
Temperature Range	-40°C to +85°C
Wire Section (at nominal Load Main Terminals)	min. 250mm ²
Switch Lever	removeable
Max. Torque (Main Terminals)	18-22Nm



	Date	Name
Create	20.05.2009	Kaise
Edited	03.02.2020	Seeger
Check	03.02.2020	Grind

mm ↔	Scale 1:2
General Tolerances DIN ISO 2768 cL	



Drawing No:

35-524-230-R-A2-900

NSN: