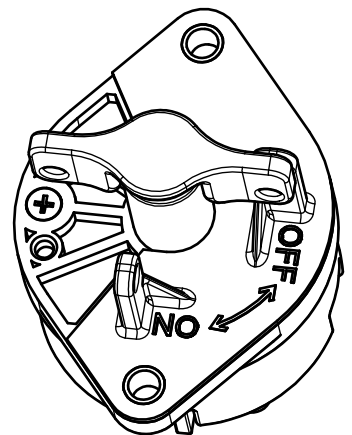


Technical Data:

Case Material: Cover:.....Vyncolit black
 Base Plate:.....PA GF50 black
 Switch Lever Material:.....PA red
 Min. Insulation Resistance:.....100MOhm
 Dielectric Withstanding Voltage:.....1050V-1min
 Max. Contact Voltage Drop:.....150mV
 Voltage:.....up to 32VDC
 Continuous Rating:.....2x500A
 Overload:.....2x2000A-1.5min
2x2500A-10sec
 Sealing:.....IP 67/IEC 529
 Vibration:.....10G 18-500Hz
 Weight:.....~700g/1.6Pound
 Temperature Range:.....-40°C to +85°C
 Wire Section(at nominal load):.....min.250mm²
 Key:.....not removeable, red
 Max. Tourque (Main Contacts):.....15-20Nm
 Integrated Safety Feature:.....NO-MAKE contact
 operating key is pushed



	Date	Name	mm	Scale	 Elektrotechnik - GmbH & Co KG D - 72218 Wildberg	Drawing No:
Drawn	30.11.2006	Mielk	←	1:2		35-524-131-R-900
Check	30.11.2006	Grind	General Tolerances DIN ISO 2768 mK			NSN.: