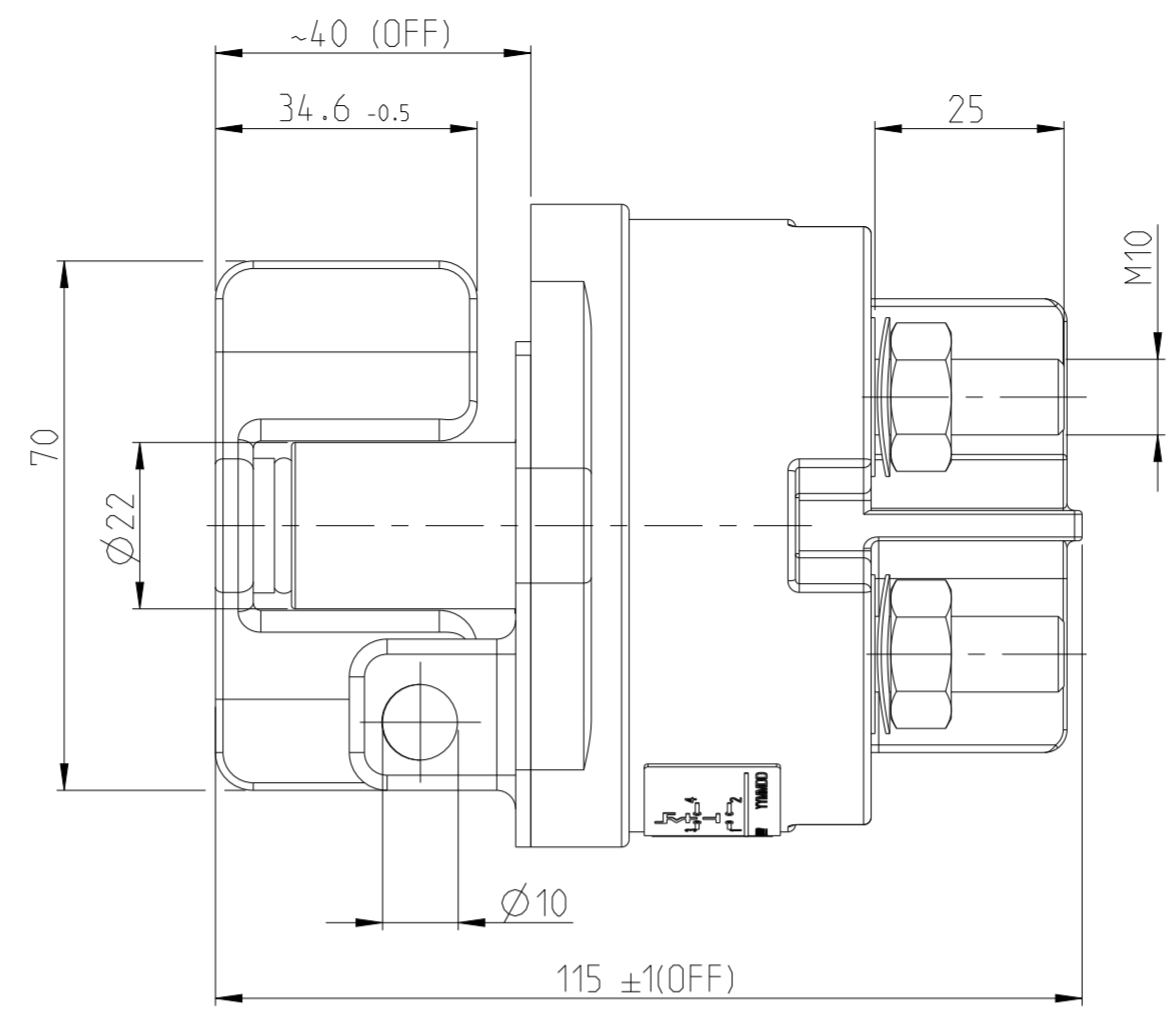
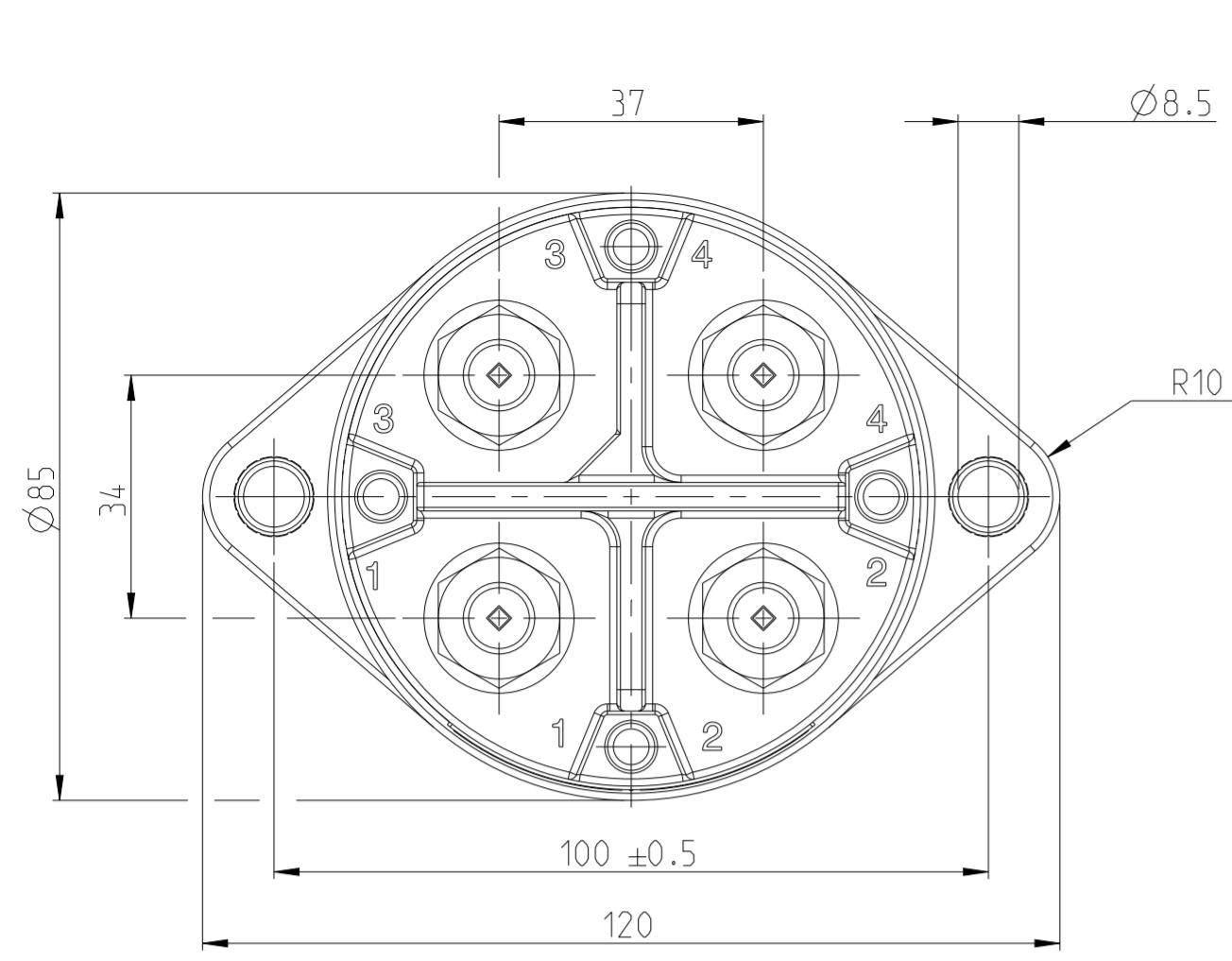
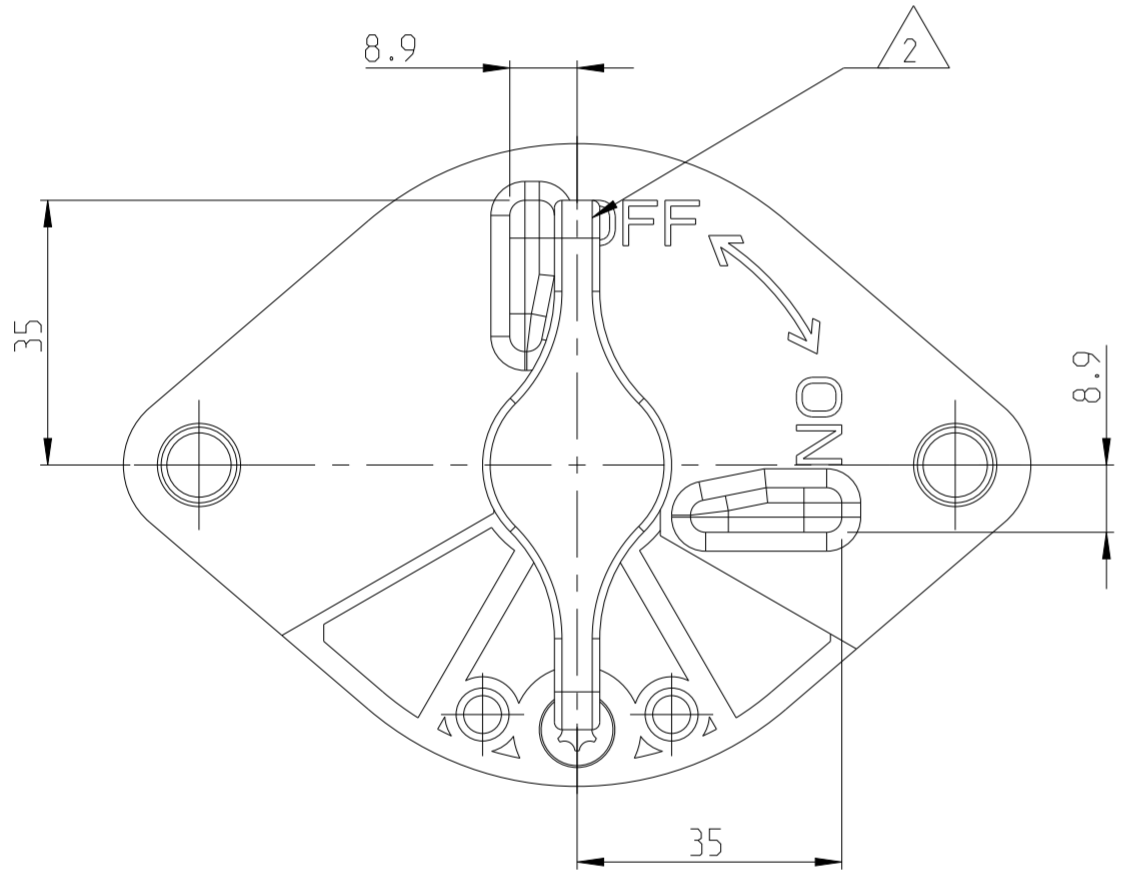


| REVISIONS |     |                                       |           |     |      |
|-----------|-----|---------------------------------------|-----------|-----|------|
| P         | LTR | DESCRIPTION                           | DATE      | DWN | APVD |
|           | A   | ECN-22-150567. GO TO PRODUCTION (GTP) | 07JUL2022 | HKS | JH   |
|           |     |                                       |           |     |      |
|           |     |                                       |           |     |      |

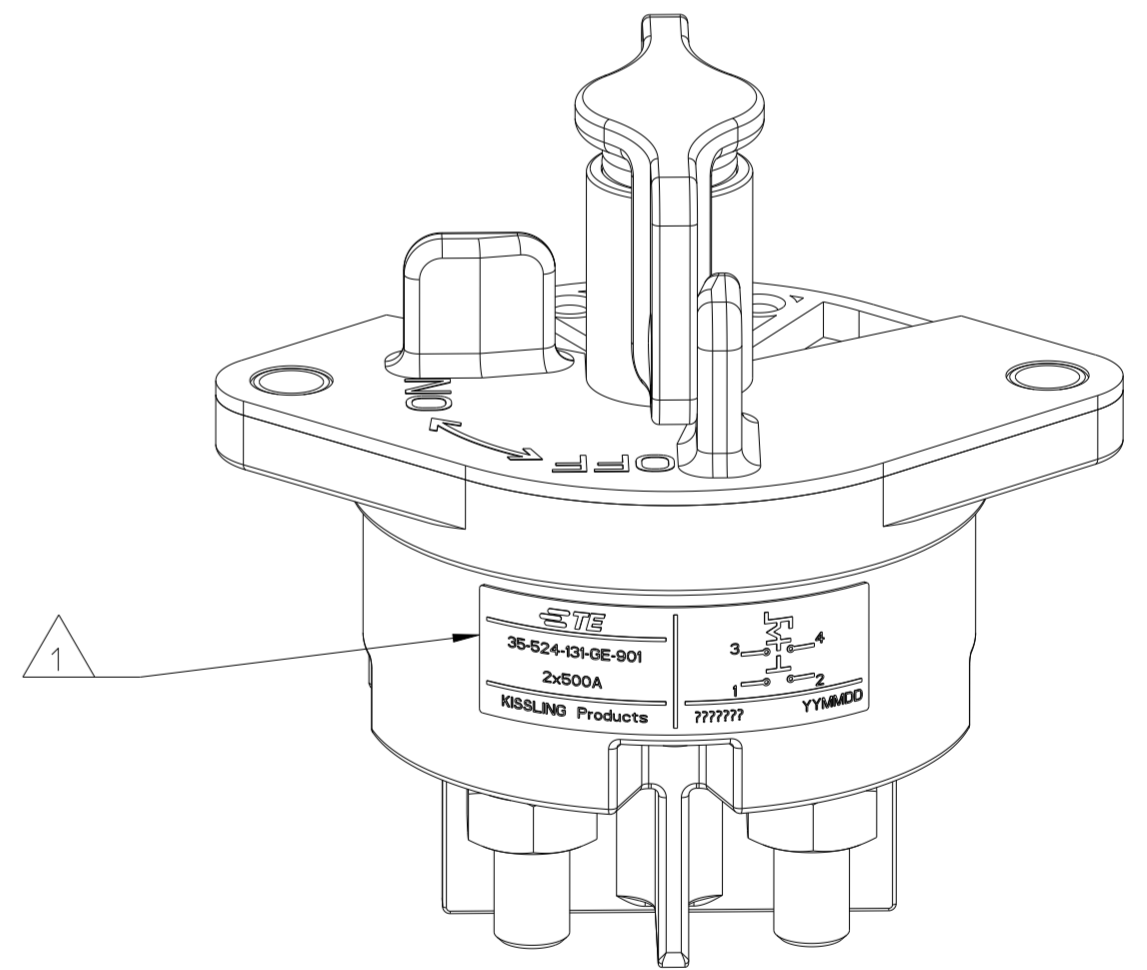
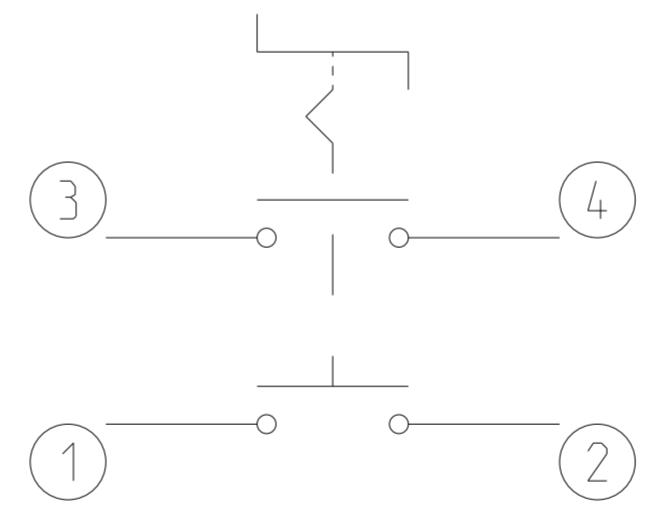


NOTES

- 1 LABEL:  
TE-LOGO  
TE-CONNECTIVITY ORDER-NUMBER: 35-524-131-GE-901  
PRODUCTION DATE: YYMMDD  
TE-CONNECTIVITY INTERNAL ORDER NUMBER: ???????  
CIRCUIT DIAGRAM
- 2 DELIVERY CONDITION IN OPEN POSITION
- 3 MALFUNCTION CAUSED BY LACQUER IS NOT COVERED BY TE WARRANTY
- 4 PACKED IN TRAY OR SPECIAL FORM ACCORDING TO TE PACKAGING SPECIFICATION: VAW6000978
- 5 ENGINEERING SPECIFICATION: 115-18886.  
DATASHEET SPECIFICATIONS 35-524-131-GE-901 ACC. TO LAB-REPORTS



CIRCUIT



TECHNICAL DATA

CASE MATERIAL: COVER.....PF GF BLACK  
MOUNTING SOCKET.....PA GF BLACK  
KEY PLATE.....PA GF YELLOW  
SWITCH LEVER MATERIAL.....PA GF YELLOW  
MIN. INSULATION RESISTANCE.....100MΩhm  
DIELECTRIC WITHSTANDING VOLTAGE.....1050V-1MIN  
MAX. CONTACT DROP DURING RESISTIVE LOAD.....150mV  
VOLTAGE.....UP TO 32VDC  
DUTY RATING.....2x 500A  
OVERLOAD.....2x2000A-30SEC  
.....2x2500A-10SEC  
SEALING.....IP 67/IEC 529  
VIBRATION.....SINUS 10G/10-500Hz  
SHOCK G-LEVER.....50G/11ms  
WEIGHT.....~650g  
TEMPERATURE RANGE.....-40°C TO +85°C  
WIRE SECTION (AT NOMINAL LOAD).....MIN. 250mm<sup>2</sup>  
MOUNTING POSITION.....OPTIONAL  
SWITCH LEVER.....NOT REMOVABLE  
.....LOCKABLE IN \*OFF\* POSITION  
.....NOT LOCKABLE IN \*ON\* POSITION  
TORQUE (MAIN TERMINALS).....15-20Nm

|  |      |   |   |                 |
|--|------|---|---|-----------------|
| K5000193                               | A    | BATTERY DISCONNECTOR 2X500A 35-524-131-GE-901<br>BATTERIETRENSCHALTER 2X500A 35-524-131-GE-901                      | -   | 1               |
| PART/TCPN NO.                          | REV. | DESCRIPTION   | COLOR   | ITEM NO.        |
| THIS DRAWING IS A CONTROLLED DOCUMENT. |      | DWN 28FEB2022<br>H. K. SAMBANDHAN<br>CHK 28FEB2022<br>U. GRINDEMANN<br>APVD 25APR2022<br>A. O. WALZ<br>PRODUCT SPEC |   |                 |
| DIMENSIONS: mm                         |      | TOLERANCES UNLESS OTHERWISE SPECIFIED: DIN ISO 2768 eL  |   |                 |
| MATERIAL                               |      | FINISH  | NAME BATTERY DISCONNECTOR 2X500A 35-524-131-GE-901<br>BATTERIETRENSCHALTER 2X500A 35-524-131-GE-901 |                 |
| WEIGHT                                 |      | ~650 g  | SIZE A2   | CAGE CODE 00779 |
| CUSTOMER DRAWING                       |      | SCALE 1:1   | DRAWING NO. C-35-524-131-GE-901   | RESTRICTED TO   |
|  |      | SHEET 1 OF 1  | REV A   |                 |