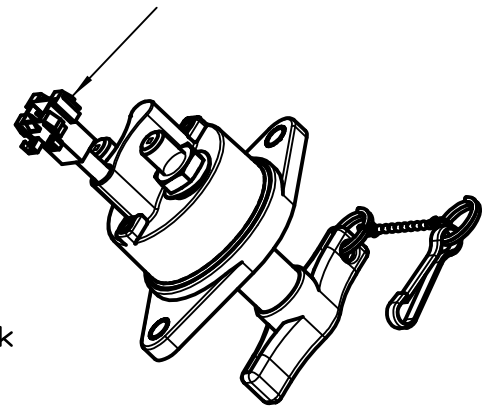


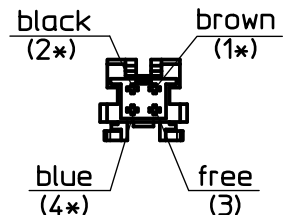
Connector:
4-Pol.
AMP-929505-1



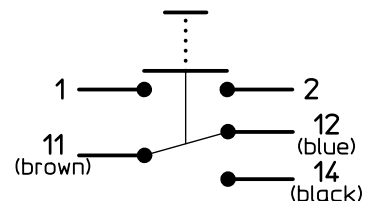
Technical Data:

Case Material: Cover.....	Vyncolit black
Base Plate.....	PA GF black
Switch Lever Material.....	PA GF red
Min. Insulation Resistance.....	100MΩ
Dielectric Withstanding Voltage.....	1050V-1min.
Max. Contact Drop During Resistive Load.....	150mV
Voltage.....	up to 32VDC
Duty Rating.....	500A
Overload.....	1500A-4min.
	2000A-1.5min.
	2500A-10sec.
Auxiliary Contact:	
Continuous Current.....	10A
Make and Brake:.....	24V L/R 5ms 10A
	24V L/R 20ms 6A
Sealing.....	IP 67/ IEC 529
Vibration.....	4G/ 50-2000Hz
Shock.....	6G/ 11ms
Weight.....	max. 410g
Temperature Range.....	-40°C to +85°C
Wire Section (at nominal Load Main Terminals).....	min. 250mm ²
Switch Lever.....	removeable
Max. Torque (Main Terminals).....	18-22Nm
*Wire section (Auxiliary Contact).....	0,75mm ²

Pin-assignment
(Top View Pins not cable side)

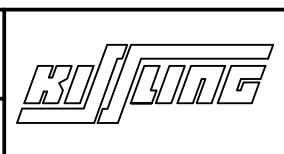


Circuit



Date	Name
16.07.2009	Drech
30.06.2016	Grind

mm	Scale
	1:2
General Tolerances	
DIN ISO 2768 cL	



Drawing No:	35-514-240-R-A5-900
NSN:	