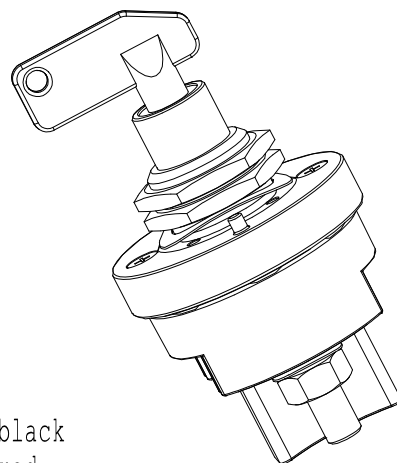
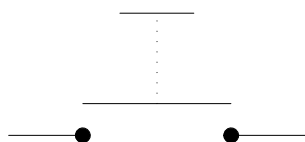


Circuit



Technical Data:

Case Material	PA GF black
Switch Lever Material	PA GF red
Min. Insulation Resistance	100MΩ
Dielectric Withstanding Voltage	1050V-1min.
Max. Contact Drop during Resistive Load	150mV
Voltage	to 32VDC
Duty Rating	500A
Overload	1500A-4 min.
.....	2000A-1,5 min.
.....	2500A-10 sec.
Sealing	IP 67/ IEC 529
Vibration	10G/ 18-500Hz
Weight	340g/ 0.75 Pound
Temperature Range	-40°C to +85°C
Wire Section (At Nominal Load)	min. 250mm ²
Switch lever	not removeable
Max. Torque (Main Contacts)	15-20Nm

	Date	Name	mm	Scale		Drawing No:
Drawn	07.08.2018	Mielk	↔	1:2		35-513-101-R
Check	07.08.2018	Grind	General Tolerances			NSN: