

**Battery Disconnecter 300A** Page 1 of 1

**Technical Data:**

Case Material Cover	PA GF black
Base Plate	PA GF black
Key Plate	PA GF red
Switch Lever Material	PA GF red
Min. Insulation Resistance	100MΩ
Dielectric Withstanding Voltage	1050V-1min.
Max. Contact Drop During Resistive Load	150mV
Voltage switchable	up to 32VDC
not switchable (carrying)	up to 80VDC
Duty Rating	300A
Overload	1200A-2min. 1600A-30sec. 2000A-3sec.
Mechanical Life	5000 cycles
Sealing	IP 67/ IEC 529
Vibration	4G/ 50-2000Hz
Shock G-Level	6G/ 11ms
Weight	325g / 0.72 Pound
Temperature Range	-40°C to +85°C
Wire Section (at nominal Load)	min. 70mm <sup>2</sup>
Switch Lever	not removeable lockable in "OFF" position not lockable in "ON" position
Max. Torque (Main Terminals)	15-20Nm

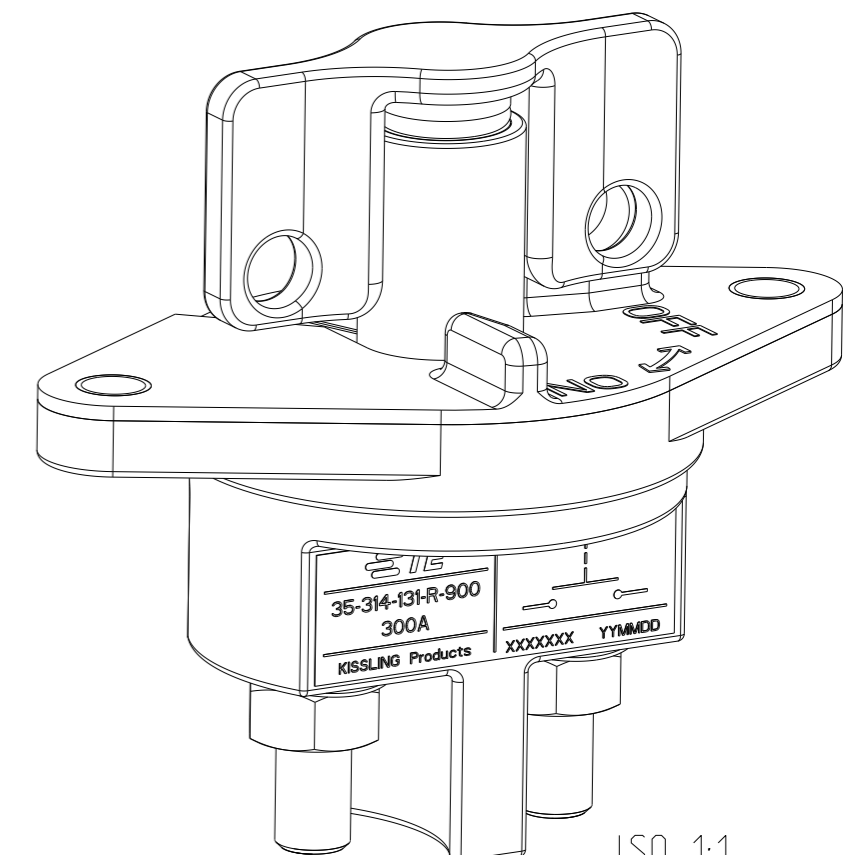
For this drawing we reserve the copyright in accordance with DIN ISO 16016

Date	Name	mm	Scale	Drawing No.
Create 15.09.2016	Seege	General Tolerances DIN ISO 2768 cL	1:2	35-314-131-R-900
Edited 19.01.2021	Seege			
Check 19.01.2021	Grind			

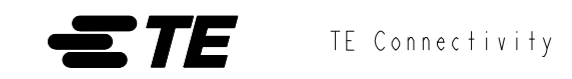
**BU/ANG** Drawing No. 35-314-131-R-900

REVISIONS					
P	LTR	DESCRIPTION	DATE	DWN	APVD
	A	TE STANDARD	28MAY2024	KS	RB

- NOTES:**  
Bemerkungen:
- 1 TE-CONNECTIVITY ORDER-NUMBER  
TE-Connectivity Bestellnummer
  - 2 DO NOT SWITCH UNDER LOAD!  
Nicht unter Last schalten



1	K1156868	A	BATTERY DISCONNECTOR 300A Batterietrennschalter 300A	1
PART/TCPN NO.	REV.	DESCRIPTION	ITEM NO.	



<b>BATTERY DISCONNECTOR 300A</b> Batterietrennschalter 300A			
SIZE	CAGE CODE	DRAWING NO	RESTRICTED TO
A3	00779	35-314-131-R-900	-
CUSTOMER DRAWING		SCALE	SHEET 1 OF 1 REV A

THIS DRAWING IS A CONTROLLED DOCUMENT.		DWN	15SEP2016
		CHK	19JAN2021
		APVD	19JAN2021
		PRODUCT SPEC	
		APPLICATION SPEC	
		WEIGHT	
		CUSTOMER DRAWING	

DIMENSIONS:	TOLERANCES UNLESS OTHERWISE SPECIFIED:
mm	DIN ISO 2768 cL
	0 PLC ±
	1 PLC ±
	2 PLC ±
	3 PLC ±
	4 PLC ±
	ANGLES ±
MATERIAL	FINISH