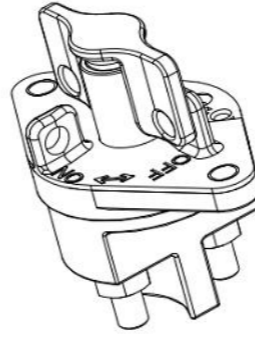


For this drawing we reserve the copyright in accordance with DIN ISO 16016

Technical Data:

Case Material	PA GF black
Switch Lever Material	PA GF black
Min. Insulation Resistance	100M Ω
Dielectric Withstanding Voltage	1050V-1min.
Max. Contact Drop during Resistive Load	150mV
Voltage	up to 32VDC
Duty Rating	200A
Overload	1200A-2min. 1600A-30sec. 2000A-3sec.
Sealing	IP 67/ IEC 529
Vibration	4G/ 50-2000Hz
Shock G-Lever	6G/ 11ms
Weight	~325g / 0.72 pound
Temperature Range	-40°C to +85°C
Wire Section (At Nominal Load)	min. 70mm ²
Mounting Position	optional
Switch Lever	not removeable
Torque (Main Terminals)	15-20Nm



	Date	Name	mm	Scale
Create	05.06.2003	Grind	General Tolerances DIN ISO 2768 cL	1:2
Edited	12.12.2019	Seege		
Check	10.03.2020	Grind		



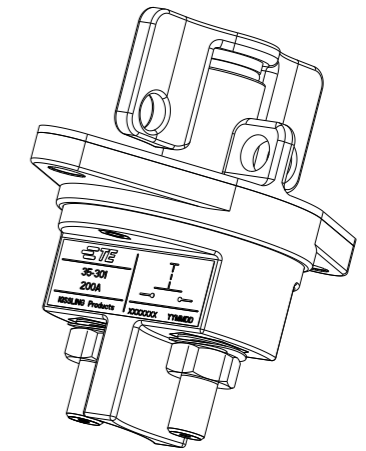
Drawing No: **35-301**
NSN:

REVISIONS

P	LTR	DESCRIPTION	DATE	DWN	APVD
	A	TE STANDARD	28MAY2024	KS	RB

NOTES:
Bemerkungen:

- 1 TE-CONNECTIVITY ORDER-NUMBER
TE-Connectivity Bestellnummer
- 2 DO NOT SWITCH UNDER LOAD!
Nicht unter Last schalten



1	K1060868	A	BATTERY DISCONNECTOR 200A Batterietrennschalter 200A	1
PART/TCPN NO.	REV.	DESCRIPTION	ITEM NO.	



NAME
**BATTERY DISCONNECTOR 200A
Batterietrennschalter 200A**

SIZE	CAGE CODE	DRAWING NO	RESTRICTED TO
A3	00779	35-301	-

THIS DRAWING IS A CONTROLLED DOCUMENT.

DIMENSIONS:	TOLERANCES UNLESS OTHERWISE SPECIFIED:
mm	DIN ISO 2768 cL
	0 PLC ±
	1 PLC ±
	2 PLC ±
	3 PLC ±
	4 PLC ±
	ANGLES ±
MATERIAL	FINISH

DWN	05JUN2003
U.Grindemann	
CHK	12DEC2019
K.Seeger	
APVD	10MAR2020
U.Grindemann	
PRODUCT SPEC	
APPLICATION SPEC	
WEIGHT	
CUSTOMER DRAWING	