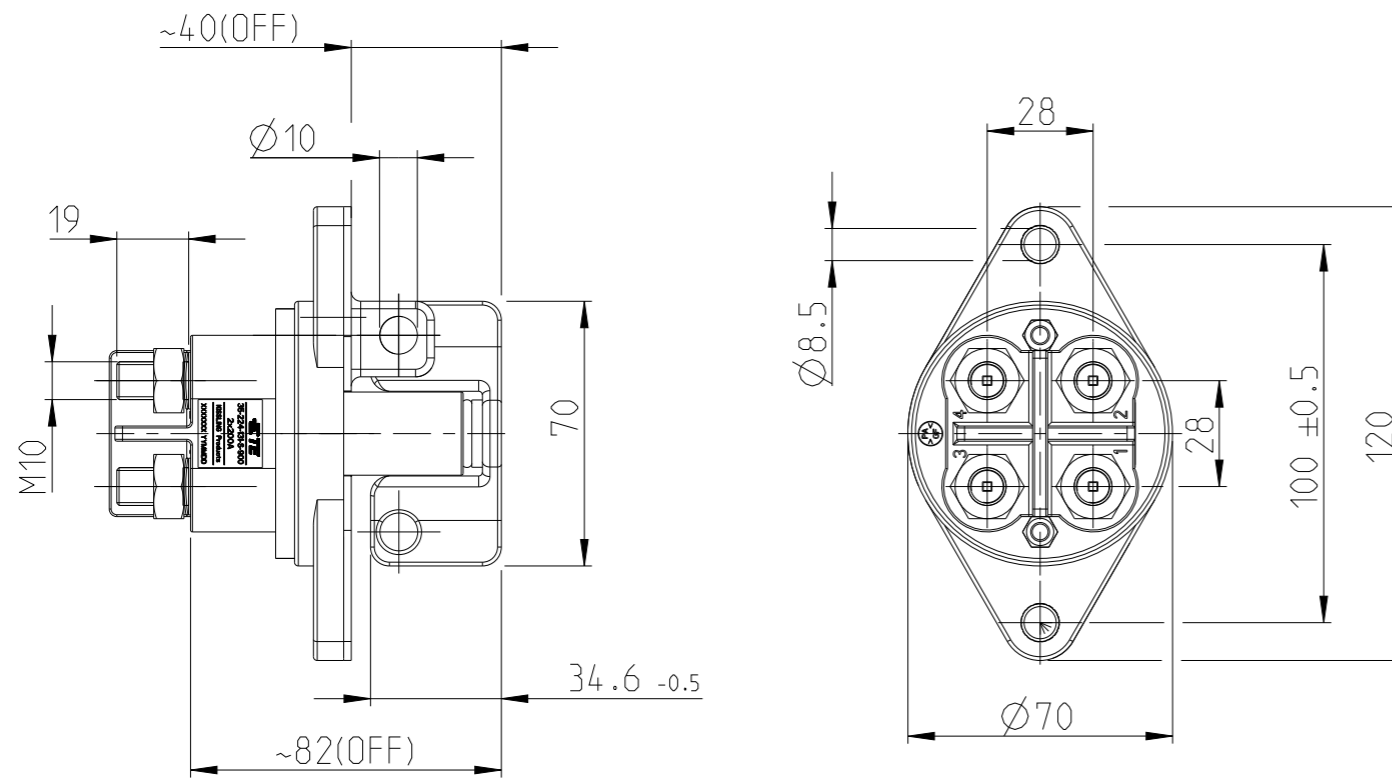


P	LTR	DESCRIPTION	DATE	DWN	APVD
	A	ECN-23-244727	20DEC2023	SS	RB

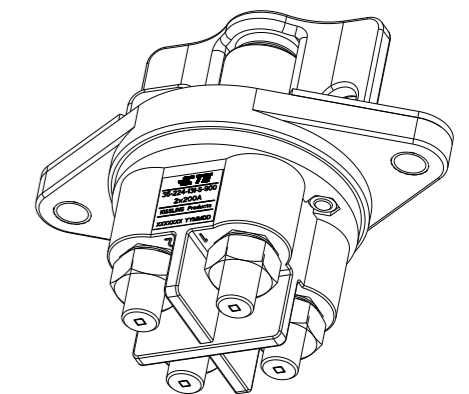


NOTES
Bemerkungen

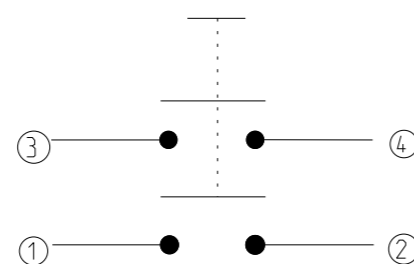
- 1 TE-CONNECTIVITY ORDER-NUMBER
TE-Connectivity Bestellnummer
- 2 DO NOT SWITCH UNDER LOAD!
Nicht unter Last schalten!

Technische Daten:
 Werkstoff: Haube..... PA GF Schwarz
 Schalthebel..... PA GF Schwarz
 Min. Isolationswiderstand..... 100 Mohm
 Hochspannungsfestigkeit..... 1050V-1min
 Max. Kontaktspannungsabfall bei Nennlast..... 150 mV
 Betriebsspannung..... bis zu 32VDC
 Dauerstrom..... 2x200A
 Überlast..... 2x500A-180 sec.
, 2x1000A-30sec
 Schutzart..... IP 67/ IEC 529
 Vibraton..... 4G/50-2000Hz
 Schock..... 6G/ 11 ms
 Umgebungstemperatur..... -40°C bis +85°C
 Anschlußquerschnitt bei Nennlast..... min.70mm²
 Einbaulage..... beliebig
 Schalthebel..... nicht abziehbar
 Anzugsmoment (Hauptkontakte)..... 15-20Nm

TECHNICAL DATA:
 CASE MATERIAL: COVER.....PA GF BLACK
 SWITCH LEVER.....PA GF BLACK
 MIN. INSULATION RESISTANCE.....100MOhm
 DIELECTRIC WITHSTANDING RESISTANCE.....1050V-1min.
 MAX.CONTACT VOLTAGE DROP DURING RESISTIVE LOAD.....150mV
 VOLTAGE.....UP TO 32VDC
 DUTY RATING.....2X200A
 OVERLOAD.....2X500A-180sec
, 2X1000A-30sec
 SEALING.....IP 67/IEC 529
 VIBRATION.....4G/50-2000Hz
 SHOCK G-LEVER.....6G/11ms
 TEMPERATURE RANGE.....-40 °C TO +85 °C
 WIRE SECTION (AT NOMINAL LOAD).....MIN. 70mm²
 MOUNTING POSITION.....OPTIONAL
 SWITCH LEVER.....NOT REMOVEABLE
 TORQUE (MAIN CONTACTS).....15-20Nm



CIRCUIT DIAGRAM
Schaltbild



K1125605	1	A	BATTERY DISCONNECTOR 2x200A Batterietrennschalter 2x200A	380	1
TE ORDER-NO.	REV.		DESCRIPTION	WEIGHT [g]	ITEM NO

THIS DRAWING IS A CONTROLLED DOCUMENT.		DWN N.Mielke 28JUN2005			
DIMENSIONS: mm		CHK K.Seeger 11JUN2019			
TOLERANCES UNLESS OTHERWISE SPECIFIED: DIN ISO 2768 cL		APVD U.Grindemann 16AUG2019	NAME BATTERY DISCONNECTOR 2x200A Batterietrennschalter 2x200A		
MATERIAL		PRODUCT SPEC	RESTRICTED TO		
FINISH		APPLICATION SPEC	SIZE A3	CAGE CODE 00779	DRAWING NO G=35-224-131-S-900
WEIGHT		CUSTOMER DRAWING	SCALE 1:2	SHEET 1 OF 1	REV A