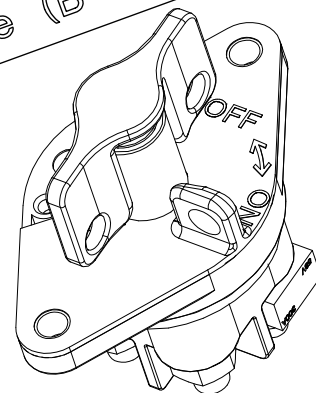


For customer release (B-sample)



For this drawing we reserve the copyright in accordance with DIN ISO 16016

Technical Data:

Case Material	PA GF black
Switch Lever Material	PA GF red
Min.Insulation Resistance	100MΩ
Dielectric Withstanding Voltage	1050V-1min.
Max.Contact Drop during Resistive Load	150mV
Voltage	up to 32VDC
Duty Rating	2x 200A
Overload	2x 500A-180sec.
	2x 1000A-30sec.
Sealing	IP67/IEC 529 (IP69K to be tested)
Vibration	tbd
Shock G-Level	tbd
Weight	~380g / 0.83 pound
Temperature Range	-40°C to +85°C
Wire Section (At Nominal Load)	min. 70mm ²
Mounting Position	optional
Switch Lever	not removeable
Torque (Main Terminals) M10	15-20Nm
Torque (Main Terminal) M8	12-13Nm

	Date	Name
Create	16.12.2019	Seege
Edited	10.01.2020	Grind
Check	10.01.2020	Grind

mm ↔	Scale 1:2
General Tolerances DIN ISO 2768 cL	



Drawing No:	35-224-131-R-902
NSN:	