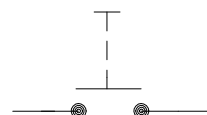
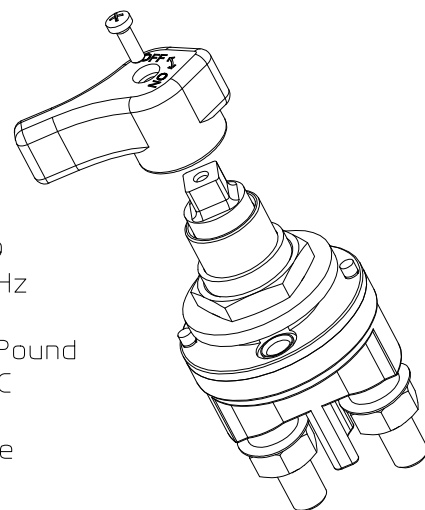


Circuit



Technical Data:

Case Material	PA GF black
Switch Lever Material	PA GF red
Min. Insulation Resistance	100MΩ
Dielectric Withstanding Voltage	1050V-1min.
Max. Contact Drop during Resistive Load	150mV
Voltage	to 32VDC
Duty Rating	200A
Overload	500A-180sec. 1000A-30sec.
Sealing	IP 67/ IEC 529
Vibration	4G / 50-2000Hz
Shock G-Level	6G / 11ms
Weight	~310g / 0.68 Pound
Temperature Range	-40°C to +85°C
Wire Section (at nominal Load)	min. 70mm <sup>2</sup>
Switch Lever	not removeable
Max. Torque (Main Contacts)	15-20Nm
Max. Torque (Mounting Nut)	20-25Nm



	Date	Name	mm	Scale
Drawn	09.02.2012	Seege	↔	1:1
Check	02.07.2018	Grind	General Tolerances DIN ISO 2768 cL	



Drawing No:	35-213-151-R-902
NSN:	