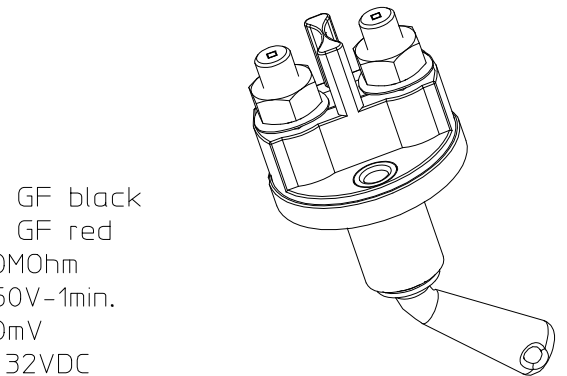
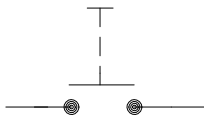


Circuit



1:2

Technical Data:

Case Material	PA GF black
Switch Lever Material.....	PA GF red
Min. Insulation Resistance.....	100MΩ
Dielectric Withstanding Voltage	1050V-1min.
Max. Contact Drop during Resistive Load.....	150mV
Voltage	to 32VDC
Duty Rating	200A
Overload	500A-180sec. 1000A-30sec.
Sealing	IP 67/ IEC 529
Vibration.....	4G / 50-2000Hz
Shock G-Level	6G / 11ms
Weight	~160 / 0.35 Pound
Temperature Range	-40°C to +85°C
Wire Section (at nominal Load)	min. 70mm ²
Switch Lever.....	removeable (with keyhole sealing)
Max. Torque (Main Contacts)	15-20Nm

For this drawing we reserve the copyright in accordance with DIN ISO 16016

	Date	Name
Create	25.03.2019	Seege
Edited	11.06.2019	Seege
Check	24.06.2019	Grind

mm ↔	Scale 1:1
General Tolerances DIN ISO 2768 cL	



Drawing No:

35-210-120-R

NSN: