

EC No. _____

Battery Disconnecter 200A

Page 1 of 1

Technical Data:

Case Material	PA GF black
Switch Lever Material	PA GF red
Min. Insulation Resistance	100MΩ
Dielectric Withstanding Voltage	1050V-1min.
Max. Contact Drop during Resistive Load	150mV
Voltage	to 32VDC
Duty Rating	200A
Overload	500A-180sec. 1000A-30sec.
Sealing	IP 67/ IEC 529
Vibration	4G / 50-2000Hz
Shock G-Level	6G / 11ms
Weight	~155g / 0.34 Pound
Temperature Range	-40°C to +85°C
Wire Section (at nominal Load)	min. 70mm ²
Switch Lever	removeable
Max. Torque (Main Contacts)	12-13Nm

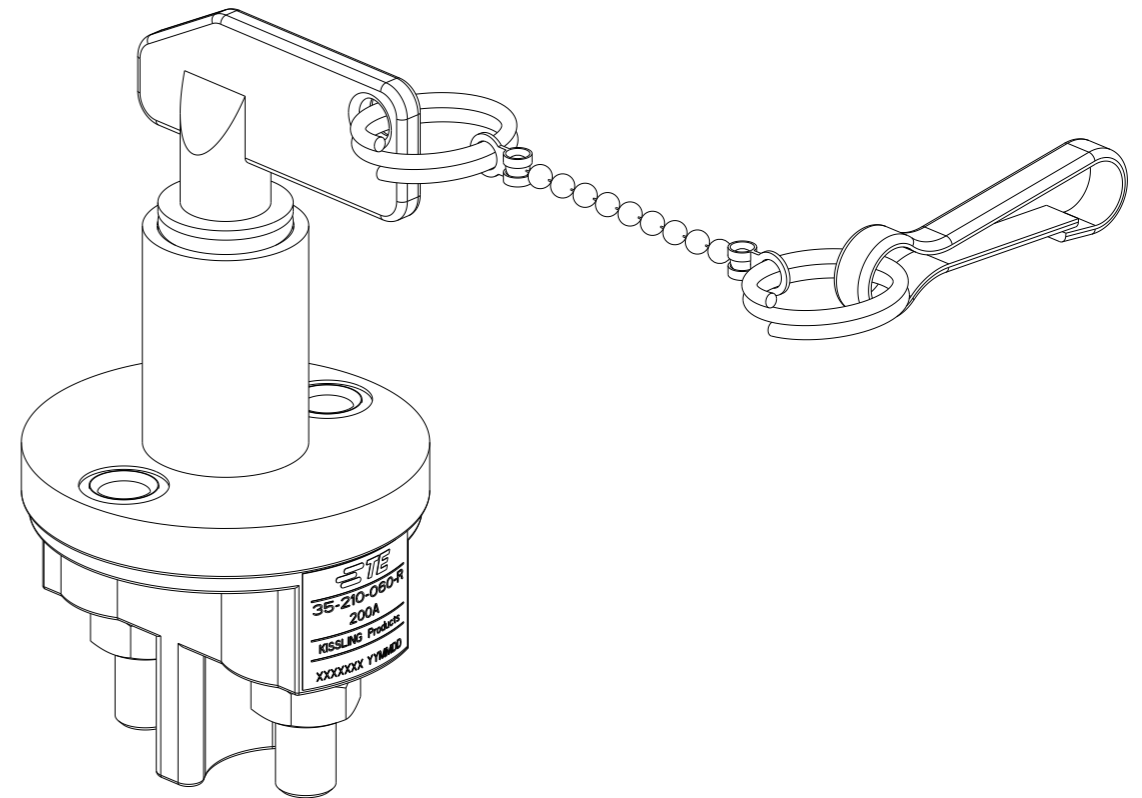
Date	Name	mm	Scale		Drawing No: 35-210-060-R
Drawn 27.09.2018	Seeger	General Tolerances DIN ISO 2768 cl.	1:1		
Check 22.10.2018	Grind		NSN:		

REVISIONS					
P	LTR	DESCRIPTION	DATE	DWN	APVD
	A	TE STANDARD	08MAY2024	KS	RB

NOTE
Bemerkungen:

1 TE-CONNECTIVITY ORDER-NUMBER
TE-connectivity Bestellnummer

2 DO NOT SWITCH UNDER LOAD!
Nicht unter Last schalten!



K1135221 / 1	A	BATTERY DISCONNECTOR 200A Batterietrennschalter 200A	1
TE ORDER-NO.	REV.	DESCRIPTION	ITEM NO.

THIS DRAWING IS A CONTROLLED DOCUMENT.

DWN K.Seeger	27SEP2018
CHK K.Seeger	27SEP2018
APVD U.Grindemann	22OCT2018
PRODUCT SPEC	
APPLICATION SPEC	
WEIGHT	
CUSTOMER DRAWING	

DIMENSIONS: mm	TOLERANCES UNLESS OTHERWISE SPECIFIED: DIN ISO 2768 cl
	0 PLC ± 1 PLC ± 2 PLC ± 3 PLC ± 4 PLC ± ANGLES ±
MATERIAL	FINISH

TE TE Connectivity

NAME
**BATTERY DISCONNECTOR 200A
Batterietrennschalter 200A**

SIZE A3	CAGE CODE 00779	DRAWING NO. 35-210-060-R	RESTRICTED TO -
SCALE 1:1		SHEET 1 OF 1	REV A