

EC No. 22965	Battery Disconnecter 200A	Page 1 of 1
-----------------	---------------------------	-------------

zul. Anzugsmoment
2,6-3 Nm

1:2

For this drawing we reserve the copyright in accordance with DIN ISO 16016

Technical Data:

Case Material	PA GF black
Switch Lever Material	PA GF red
Min. Insulation Resistance	100MΩ
Dielectric Withstanding Voltage	1050V-1min.
Max. Contact Drop during Resistive Load	150mV
Voltage	to 32VDC
Duty Rating	200A
Overload	500A-180sec. 1000A-30sec.
Sealing	IP 67/ IEC 529
Vibration	4G / 50-2000Hz
Shock G-Level	6G / 11ms
Weight	~155g / 0.34 Pound
Temperature Range	-40°C to +85°C
Wire Section (at nominal Load)	min. 70mm ²
Mounting Position	optional
Switch Lever	not removeable
Max. Torque (Main Contacts)	12-13Nm

Circuit

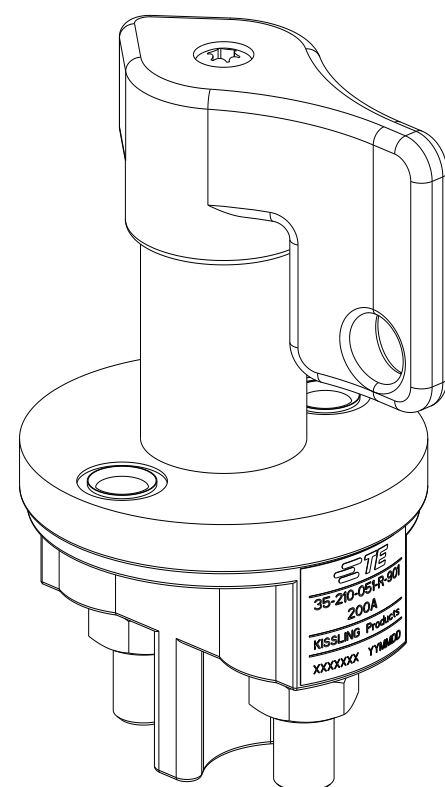
	Date	Name	mm	Scale		Drawing No:
Create	08.01.2019	Mielk	↔	1:1		35-210-051-R-901
Edited	10.10.2019	Seeger	General Tolerances DIN ISO 2768 cL			NSN:
Check	11.10.2019	Grind				

REVISIONS					
P	LTR	DESCRIPTION	DATE	DWN	APVD
	A	TE STANDARD	14MAY2024	KS	RB

NOTE
Bemerkungen:

1 TE-CONNECTIVITY ORDER-NUMBER
TE-connectivity Bestellnummer

2 DO NOT SWITCH UNDER LOAD!
Nicht unter Last schalten!



K1164297	1	A	BATTERY DISCONNECTOR 200A Batterietrennschalter 200A	1
TE ORDER-NO.	REV.		DESCRIPTION	ITEM NO.

THIS DRAWING IS A CONTROLLED DOCUMENT.		DWN N.Mielke 08JAN2019
		CHK K.Seeger 10OCT2019
		APVD U.Grindemann 11OCT2019
DIMENSIONS:	TOLERANCES UNLESS OTHERWISE SPECIFIED:	PRODUCT SPEC
mm	DIN ISO 2768 cL	APPLICATION SPEC
	0 PLC ±	WEIGHT
	1 PLC ±	
	2 PLC ±	
	3 PLC ±	
	4 PLC ±	
	ANGLES ±	
MATERIAL	FINISH	
		CUSTOMER DRAWING

TE Connectivity

BATTERY DISCONNECTOR 200A
Batterietrennschalter 200A

SIZE	CAGE CODE	DRAWING NO	RESTRICTED TO
A3	00779	35-210-051-R-901	-

SCALE	SHEET	OF	REV
1:1	1	1	A