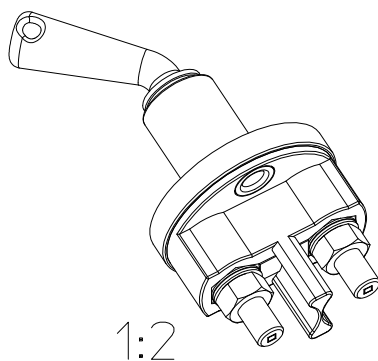
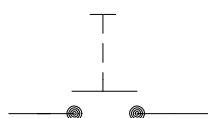


Circuit



1:2

Technical Data:

Case Material	PA GF black
Switch Lever Material	PA GF black
Min.Insulation Resistance	100MΩ
Dielectric Withstanding Voltage	1050V-1min.
Max.Contact Drop during Resistive Load	150mV
Voltage	up to 48VDC
Duty Rating	200A
Overload	500A-180sec. 1000A-30sec.
Sealing	IP 67/ IEC 529
Vibration	4G/ 50-2000Hz
Shock G-Lever	6G/ 11ms
Weight	~145g / 0.32 pound
Temperature Range	-40°C to +85°C
Wire Section (At Nominal Load)	min. 70mm <sup>2</sup>
Mounting Position	optional
Switch Lever	not removeable
Torque (Main Terminals)	12-13Nm

**Proposal**

For this drawing we reserve the copyright in accordance with DIN ISO 16016

	Date	Name
Create	03.12.2019	Seege
Edited	03.12.2019	Seege
Check	09.03.2020	Grind

mm ↔	Scale 1:1
General Tolerances DIN ISO 2768 cL	



Drawing No:	35-206
NSN:	