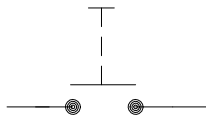
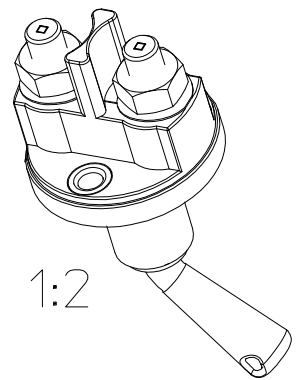


Circuit



Technical Data:

Case Material	PA GF black
Switch Lever Material	PA GF black
Min.Insulation Resistance	100MΩ
Dielectric Withstanding Voltage	1050V-1min.
Max.Contact Drop during Resistive Load	150mV
Voltage	up to 32VDC
Duty Rating	200A
Overload	500A-180sec. 1000A-30sec.
Sealing	IP 67/ IEC 529
Vibration	4G/ 50-2000Hz
Shock G-Level	6G/ 11ms
Weight	~160g / 0.35 pound
Temperature Range	-40°C to +85°C
Wire Section (At Nominal Load)	min. 70mm ²
Mounting Position	optional
Switch Lever	removeable (with keyhole sealing)
Torque (Main Terminals)	15-20Nm



For this drawing we reserve the copyright in accordance with DIN ISO 16016

	Date	Name
Create	15.08.2019	Seege
Edited	15.08.2019	Seege
Check	10.03.2020	Grind

mm	Scale
↔	1:1
General Tolerances DIN ISO 2768 cL	



Drawing No:

35-201

NSN: