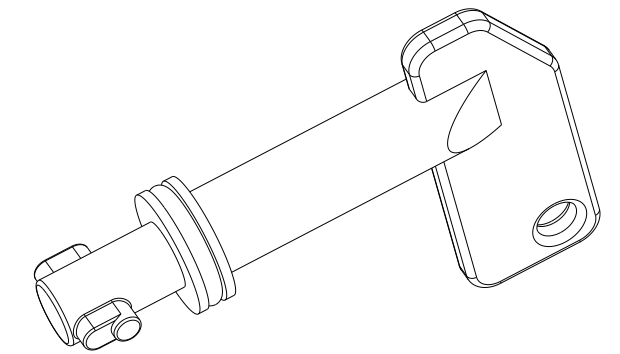
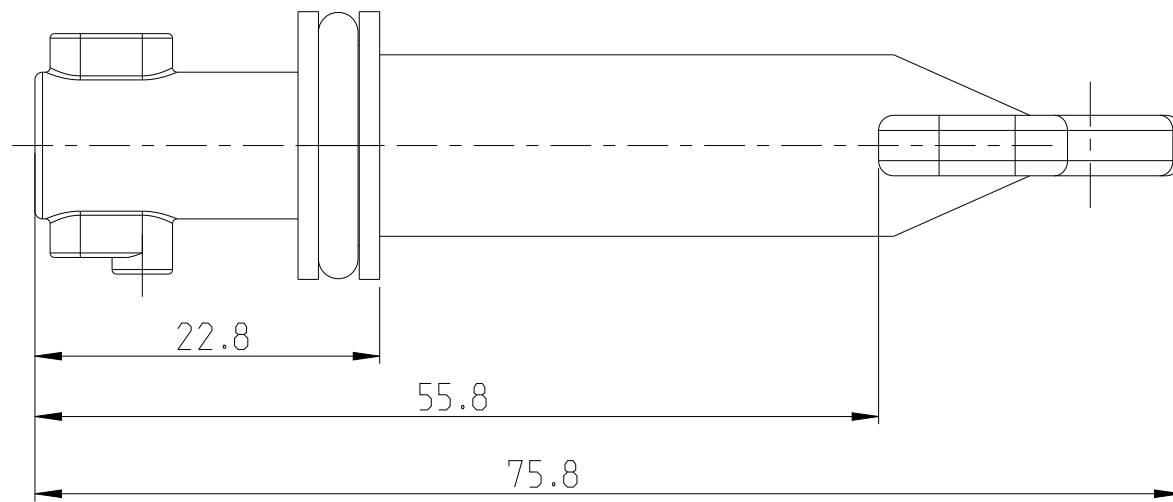
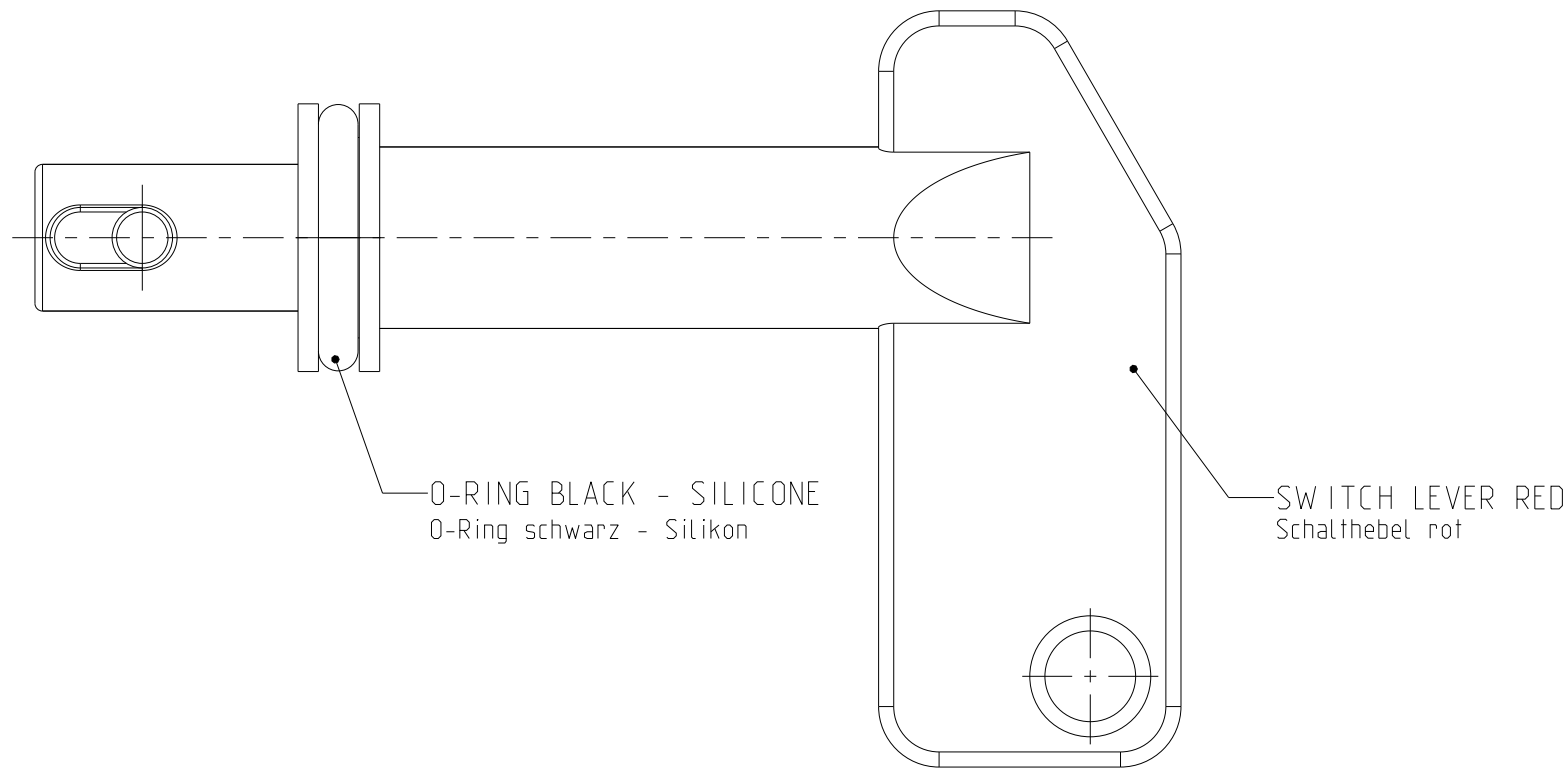


REVISIONS

P	LTR	DESCRIPTION	DATE	DWN	APVD
	A	ECN-24-246372 TE STANDARD	05JAN2024	SS	RB

NOTES
Bemerkungen

1 TE-CONNECTIVITY ORDER-NUMBER
TE-Connectivity Bestellnummer



ISO 1:1

TE ORDER-NO.	REV.	DESCRIPTION	WEIGHT [g]	ITEM NO.
K1162934	1	A SWITCH LEVER 90DEG Schalthebel 90Grd	20	1

PARTS LIST

THIS DRAWING IS A CONTROLLED DOCUMENT.

DIMENSIONS:	TOLERANCES UNLESS OTHERWISE SPECIFIED:
mm	DIN ISO 2768 cL
	0 PLC ±
	1 PLC ±
	2 PLC ±
	3 PLC ±
	4 PLC ±
	ANGLES ±
MATERIAL	FINISH

DWN	Shrihari Y	13DEC2023
CHK	K.Seeger	13DEC2023
APVD	U.Grindemann	13DEC2023
PRODUCT SPEC		
APPLICATION SPEC		
WEIGHT		
CUSTOMER DRAWING		

TE TE Connectivity

NAME SWITCH LEVER 90DEG
Schalthebel 90Grd

SIZE	CAGE CODE	DRAWING NO	RESTRICTED TO
A3	00779	G=35-200-060	-

SCALE 2:1 SHEET 1 OF 1 REV A