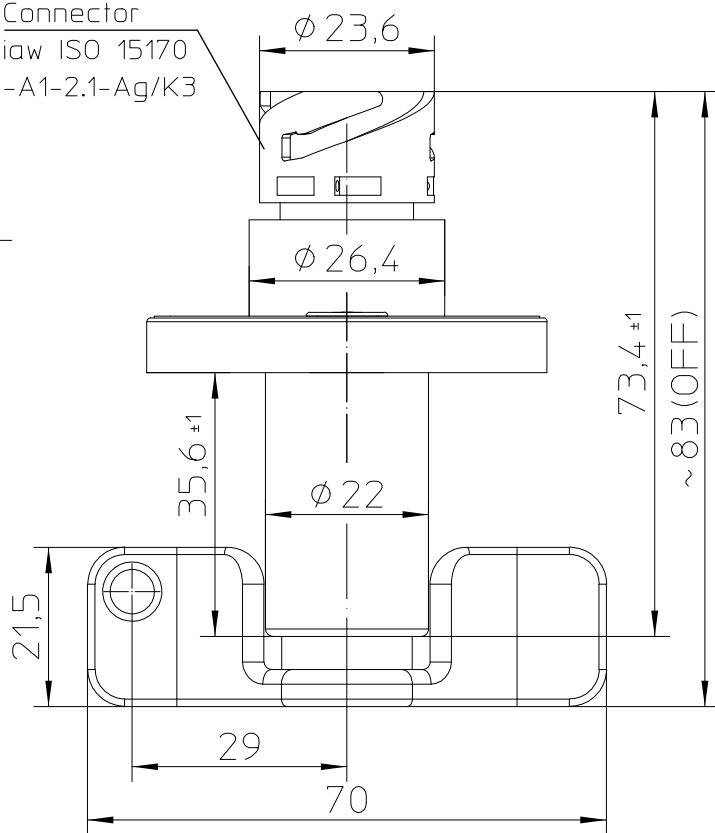
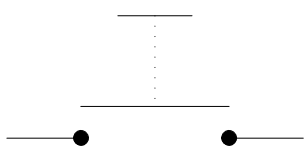


Connector
iaw ISO 15170
-A1-2.1-Ag/K3



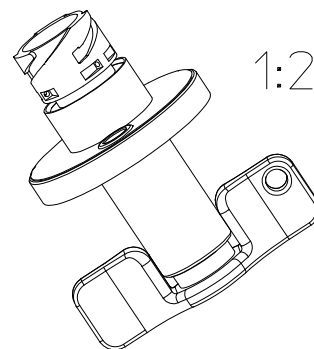
Circuit



For this drawing we reserve the copyright in accordance with DIN ISO 16016

Technical Data:

Case Material	PA GF black
Switch Lever Material	PA GF red
Dielectric Withstanding Voltage	700VDC-2sec.
Voltage	up to 32VDC
Duty Rating	max.4A
Sealing	IP 67/ IEC 529
Vibration	4G/ 50-2000Hz
Shock G-Level	6G/ 11ms
Weight	~160g
Temperature Range	-40°C to +85°C
Mounting position	optional
Switch Lever	removeable



1:2

	Date	Name
Create	27.06.2016	Seege
Edited	09.08.2019	Mielk
Check	12.08.2019	Grind

mm ↔	Scale 1:1
General Tolerances DIN ISO 2768 cL	



Drawing No:	35-0010-B30-R
NSN:	