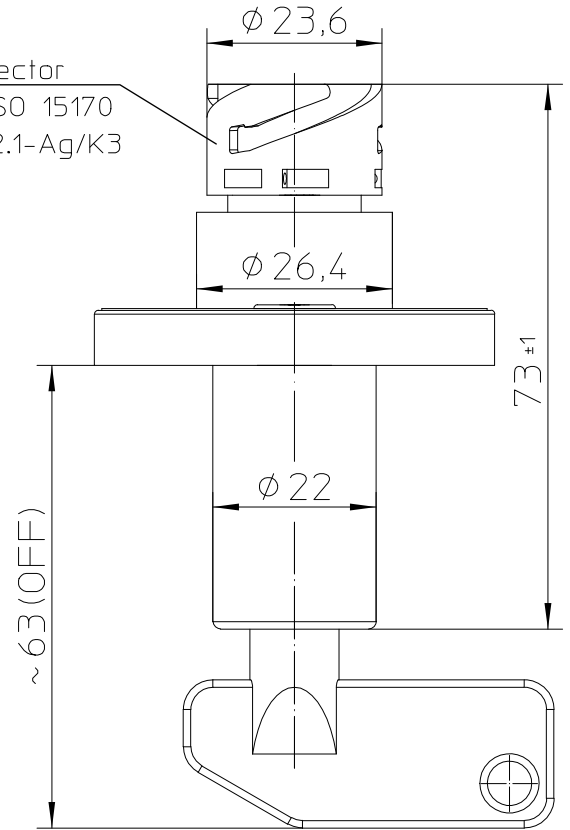
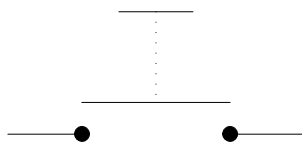


Connector  
iaw ISO 15170  
-A1-2.1-Ag/K3



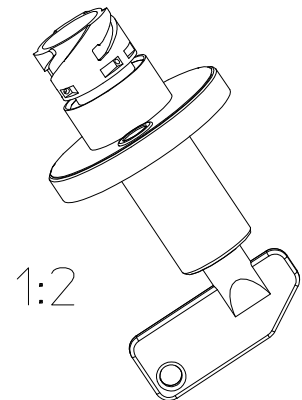
Circuit



For this drawing we reserve the copyright in accordance with DIN ISO 16016

### Technical Data:

Case Material .....	PA GF black
Switch Lever Material .....	PA GF red
Dielectric Withstanding Voltage .....	700VDC-2sec.
Voltage .....	up to 32VDC
Duty Rating .....	max.4A
Sealing .....	IP 67/ IEC 529
Vibration .....	4G/ 50-2000Hz
Shock G-Level .....	6G/ 11ms
Weight .....	160g
Temperature Range .....	-40°C to +85°C
Mounting position .....	optional
Switch Lever .....	removeable



	Date	Name
Create	16.06.2016	Seege
Edited	09.08.2019	Mielk
Check	12.08.2019	Grind

mm ↔	Scale 1:1
General Tolerances DIN ISO 2768 cL	



Drawing No:

35-0010-B00-R

NSN.: