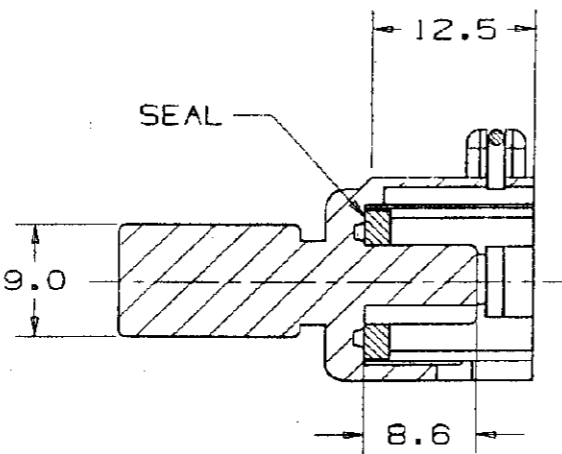
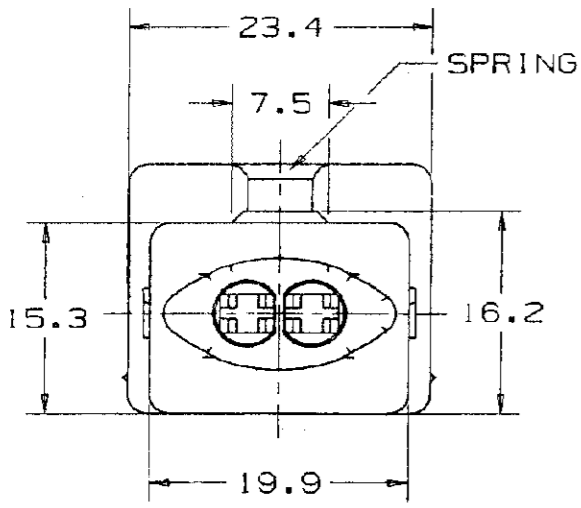


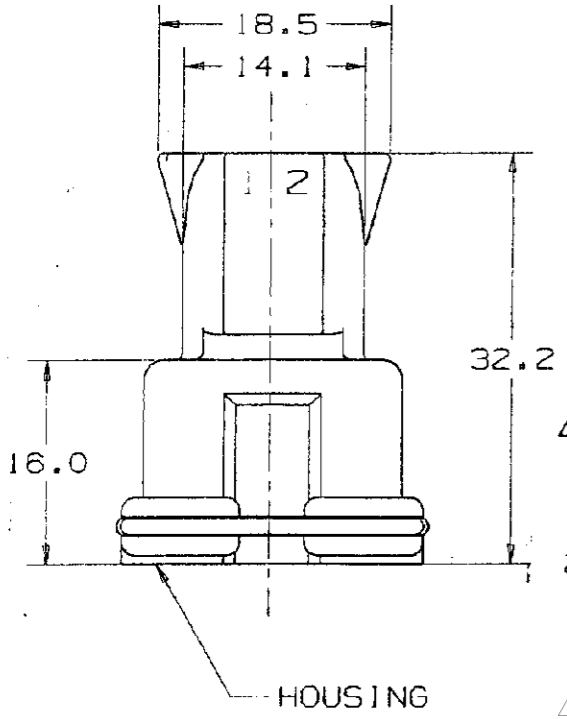
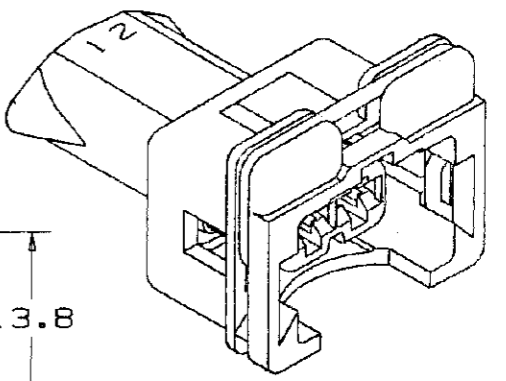
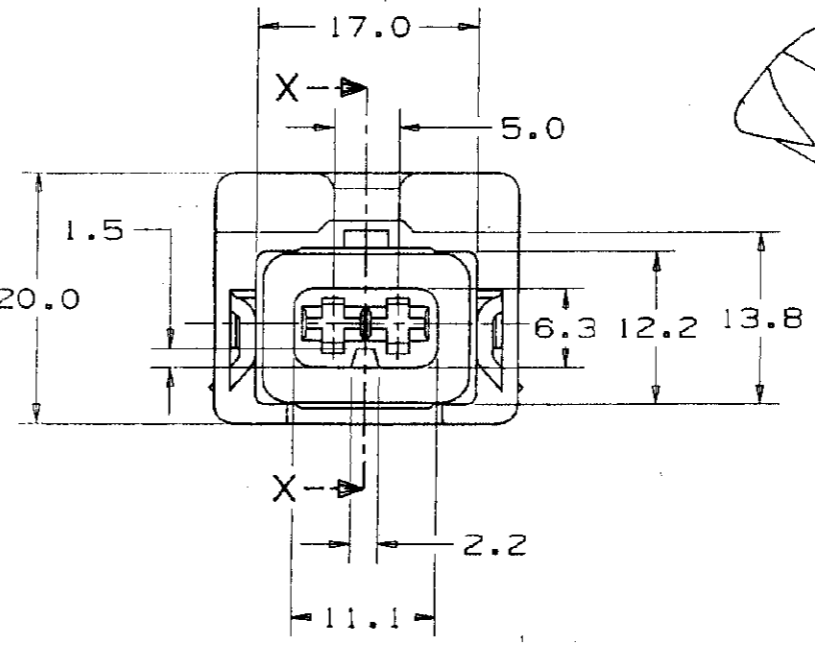
THIS DRAWING IS UNPUBLISHED. RELEASED FOR PUBLICATION 29 March, 1994 .
 © COPYRIGHT 1994 BY AMP INCORPORATED. ALL INTERNATIONAL RIGHTS RESERVED.

LOC E DIST B

| REVISIONS | | | | |
|-----------|-----|-----------------------------------|-----------|--------|
| P | LTR | DESCRIPTION | DATE | APVD |
| A1 | | OBSOLETE PNs 347883-1, -3, -4, -6 | 06OCT2020 | JPN MN |
| A2 | | PN 347883-1 ACTIVATED | 25JAN2021 | JPN MN |



SECTION X-X



HOUSING

△ MATERIALS :-
 HOUSING - 30% G.F. NYLON 66
 SPRING - STAINLESS STEEL
 SEAL - SILICONE RUBBER

2. RECOMMENDED CONTACTS :-
 927772 - 0.35mm²
 927770 - 0.5-1.00mm²
 927766 - 1.5-2.5mm²

△ OBSOLETE

| | | | |
|------|----------------|--------------|----------|
| △ 3 | BROWN RAL 8004 | HOUSING ASSY | 347883-6 |
| | BLACK | HOUSING ASSY | 347883-5 |
| △ 3 | BLUE RAL 5012 | HOUSING ASSY | 347883-4 |
| △ 3 | GREEN RAL 6011 | HOUSING ASSY | 347883-3 |
| △ 3 | GREY RAL 7000 | HOUSING ASSY | 347883-2 |
| △ A2 | NATURAL | HOUSING ASSY | 347883-1 |

| COLOUR | DESCRIPTION | PART NO |
|--|-----------------|----------------------|
| DO NOT SCALE PRINT. UNLESS SPECIFIED DIMENSIONS IN mm TOLERANCES ON: 1. PLC DEC ± 0.5 2. PLC DEC ± 0.1 ANGLES ± 2° | | |
| MATERIAL △ | | |
| FINISH - | | |
| DR 29-03-94 S. WARREN | | |
| CHK 11/04/94 J.E. PRYCE | | |
| APPD 11/04/94 P. TANNER | | |
| PRODUCT SPEC - | | |
| APPLICATION SPEC - | | |
| WEIGHT - | | |
| SIZE B | CAGE CODE 00779 | DRAWING NO C- 347883 |
| SCALE 2:1 | SHEET 1 | OF 1 REV A2 |



2 WAY JUNIOR POWER TIMER CONNECTOR ASSY

THIS DRAWING IS A CONTROLLED DOCUMENT FOR AMP INCORPORATED. IT IS SUBJECT TO CHANGE AND THE CONTROLLING ENGINEERING ORGANIZATION SHOULD BE CONTACTED FOR THE LATEST REVISION.

CUSTOMER DRAWING