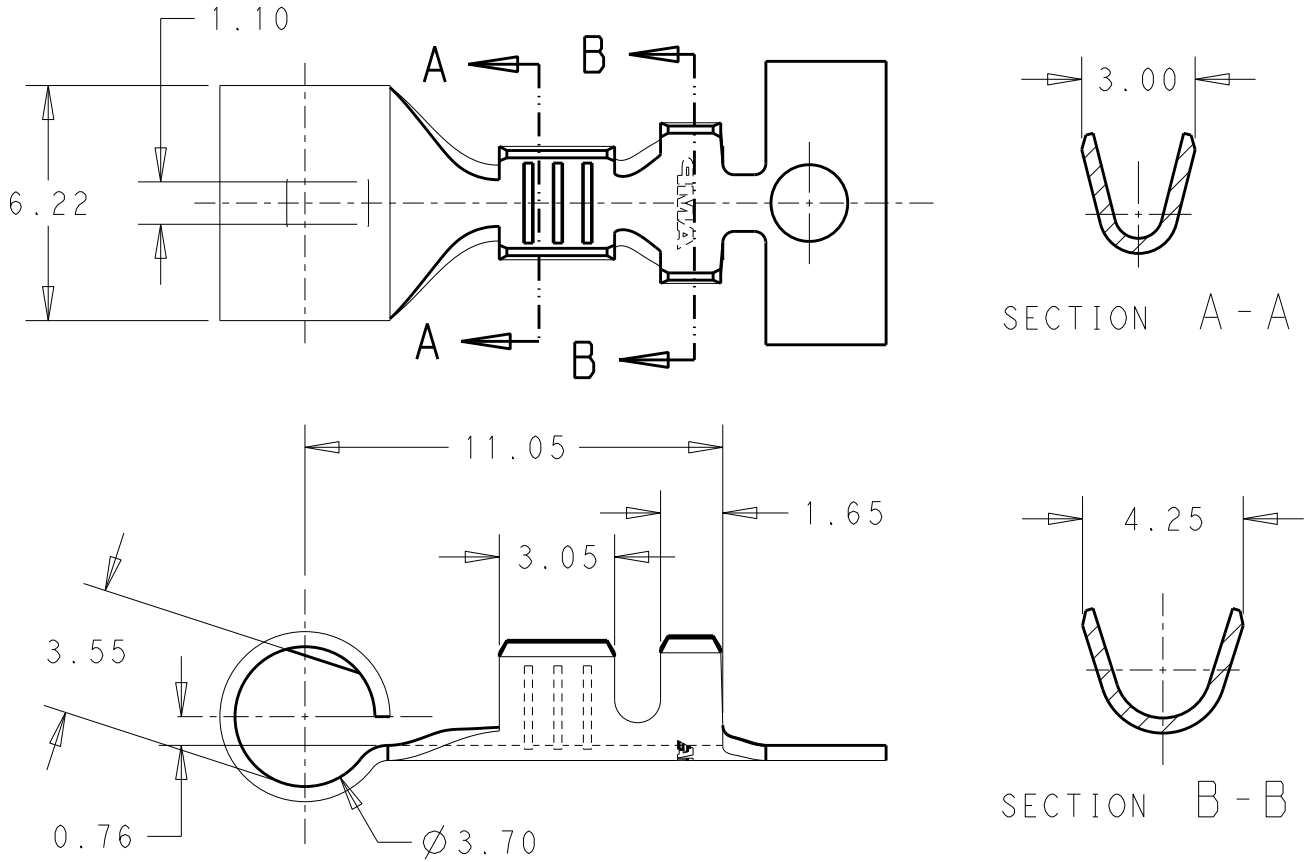


REVISIONS				
P	LTR	DESCRIPTION	DATE	APVD
	A	REVISED PER ECR-17-002695	28FEB2017	BW



WIRE RANGE: 20-16 AWG (0.52-1.30mm²)
 INSULATION RANGE: 1.50-2.13 DIA

1 OBSOLETE PARTS: OBSOLETE CIS STREAMLINING
 PER D.RENAUD/D.SINISI

REVERSE REELED	NONE	PHOS. BROZE	344469-2
	NONE	PHOS. BROZE	344469-1 1
	FINISH	MATERIAL	PART NUMBER

THIS DRAWING IS UNPUBLISHED. BY - TE CONNECTIVITY ALL RIGHTS RESERVED. COPYRIGHT

DIMENSIONS: mm	DWN D. A. BARRATT	21/04/88	MATERIAL	-	FINISH	-
	CHK M. KONCKI	21/04/88	TE Connectivity			
TOLERANCES UNLESS OTHERWISE SPECIFIED:	APVD D. A. BARRATT	21/04/88				
0 PLC ±-	PRODUCT SPEC	-	NAME 4mm DIA RIGHT ANGLE PIN RECEPTACLE			
1 PLC ±0.5	APPLICATION SPEC	-	SIZE	CAGE CODE	DRAWING NO	RESTRICTED TO
2 PLC ±-			A 4	00779	C-344469	-
3 PLC ±-			CUSTOMER DRAWING			
4 PLC ±-	WEIGHT	-	SCALE	SHEET	OF	REV
ANGLES ±1°			5:1	1	1	A