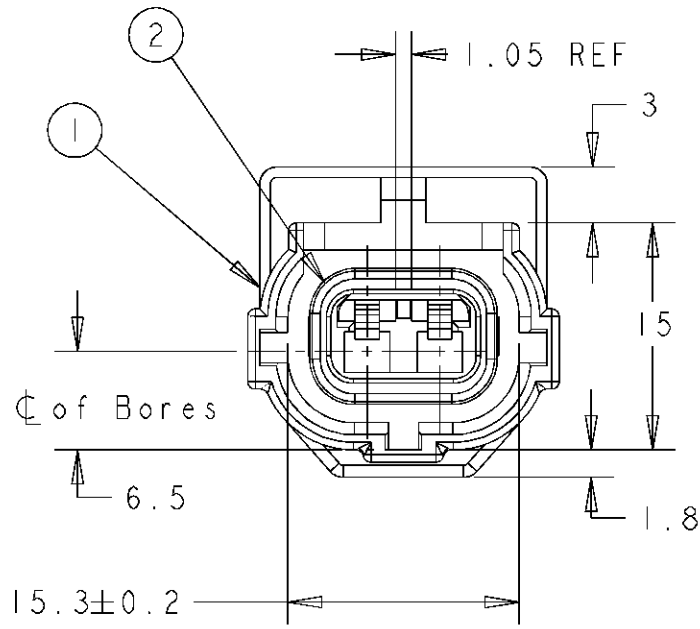
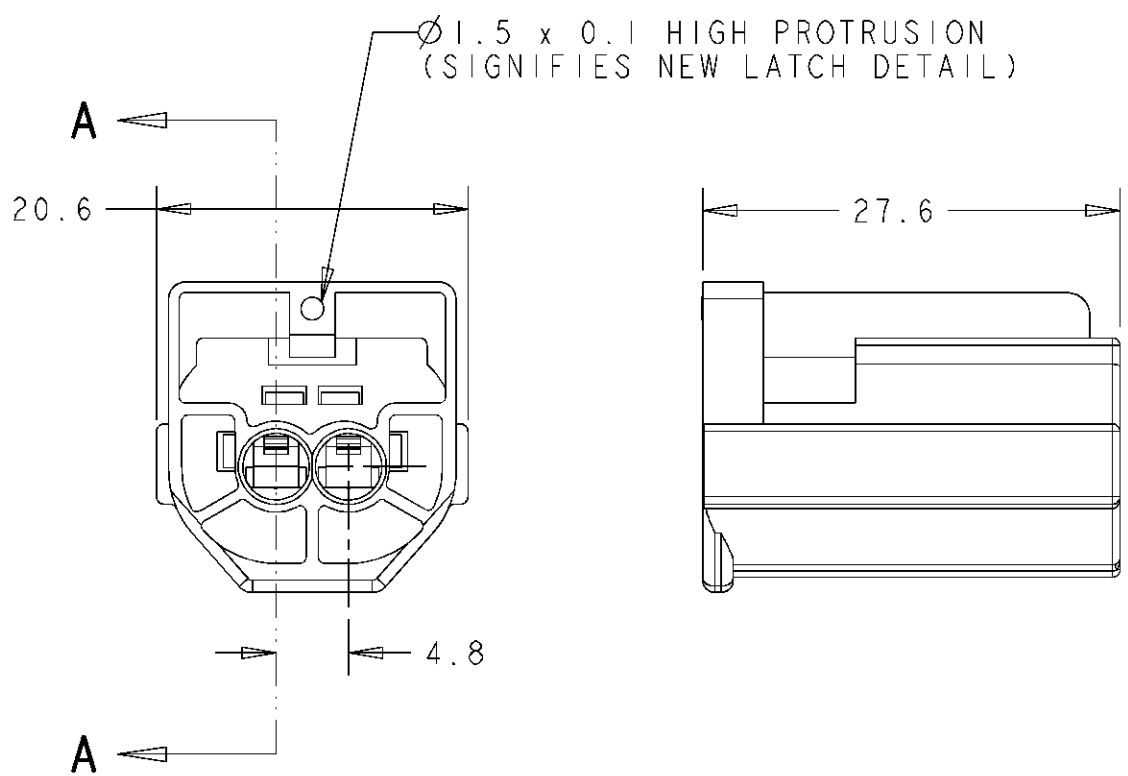
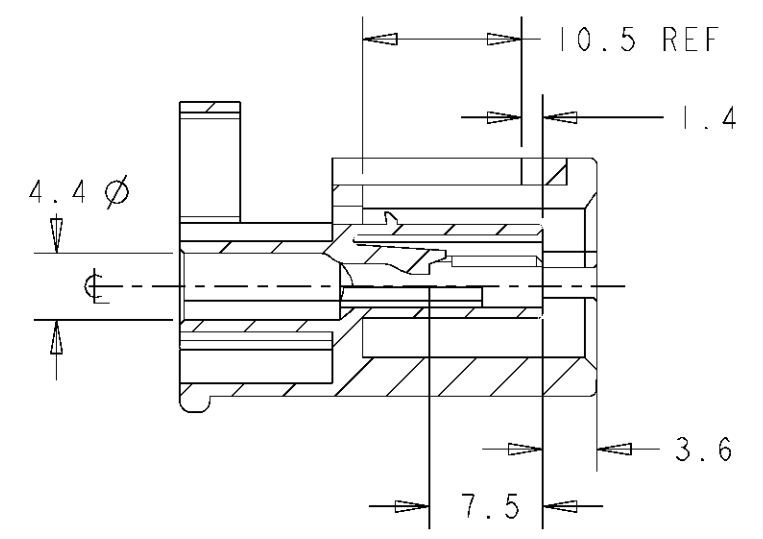


THIS DRAWING IS UNPUBLISHED. RELEASED FOR PUBLICATION
 © COPYRIGHT BY - ALL RIGHTS RESERVED.

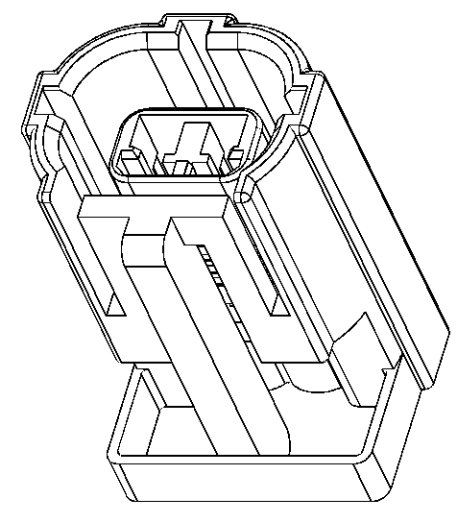
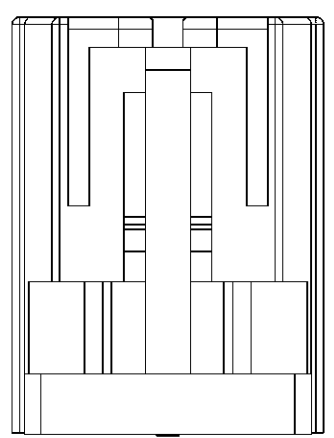
LOC	DIST	REVISIONS			
P	LTR	DESCRIPTION	DATE	DWN	APVD
E	B	L5	ECR-15-009767	29JUN2015	SK BB



SECTION **A-A**
 SEAL REMOVED FOR CLARITY



CONTROL DIMENSION



SCALE 2:1

2	BLACK	NITRILE	2822349-1	PERIPHERAL SEAL	1	1-344276-4
1	WHITE	NYLON 66	344275-4	2 WAY REC HSG	1	(WHITE)
2	BLACK	NITRILE	2822349-1	PERIPHERAL SEAL	1	1-344276-3
1	BLUE	NYLON 66	344275-3	2 WAY REC HSG	1	(BLUE)
2	BLACK	NITRILE	2822349-1	PERIPHERAL SEAL	1	1-344276-2
1	RED	NYLON 66	344275-2	2 WAY REC HSG	1	(RED)
2	BLACK	NITRILE	2822349-1	PERIPHERAL SEAL	1	1-344276-1
1	BLACK	NYLON 66	344275-1	2 WAY REC HSG	1	(BLACK)
2	ORANGE	SILICONE	347702-1	PERIPHERAL SEAL	1	344276-4
1	WHITE	NYLON 66	344275-4	2 WAY REC HSG	1	(WHITE)
2	ORANGE	SILICONE	347702-1	PERIPHERAL SEAL	1	344276-3
1	BLUE	NYLON 66	344275-3	2 WAY REC HSG	1	(BLUE)
2	ORANGE	SILICONE	347702-1	PERIPHERAL SEAL	1	344276-2
1	RED	NYLON 66	344275-2	2 WAY REC HSG	1	(RED)
2	ORANGE	SILICONE	347702-1	PERIPHERAL SEAL	1	344276-1
1	BLACK	NYLON 66	344275-1	2 WAY REC HSG	1	(BLACK)
ITEM	COLOUR	MATERIAL	PART NO	DESCRIPTION	Qty	ASSY PT NO

DIMENSIONS: mm		TOLERANCES UNLESS OTHERWISE SPECIFIED:	
	0 PLC	±	
	1 PLC	±0.5	
	2 PLC	±0.5	
	3 PLC	±0.5	
	4 PLC	±	
	ANGLES	±2	
	FINISH	-	
MATERIAL SEE TABLE			

DWN	M. GREENER	28JUL2003	TE Connectivity NAME 2 WAY RECEPTACLE HOUSING - ECONOSEAL 3 LOW CURRENT	SIZE A3	CAGE CODE 00779	DRAWING NO C=344276	RESTRICTED TO -	
CHK	M. HARRIS	28JUL2003						
APVD	B. BAKER	28JUL2003						
PRODUCT SPEC	-	-						
APPLICATION SPEC	-	-	WEIGHT	-	CUSTOMER DRAWING	SCALE 2:1	SHEET 1 OF 1	REV L5