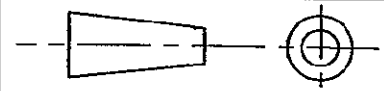


C.A.D. FILE CODE
5. C344273

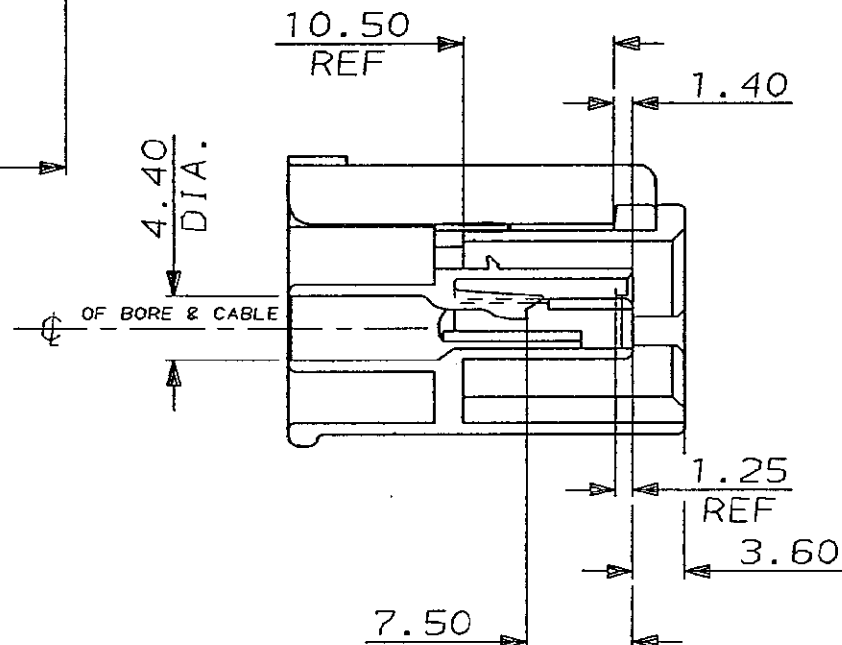
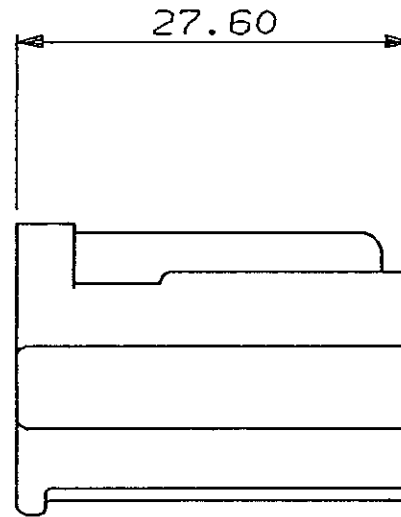
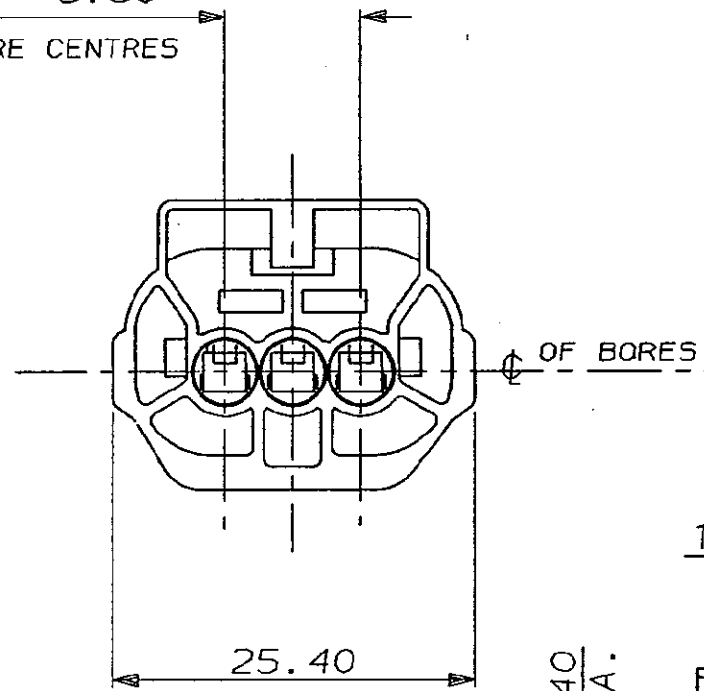
DO NOT SCALE

DIMENSIONS IN MM.

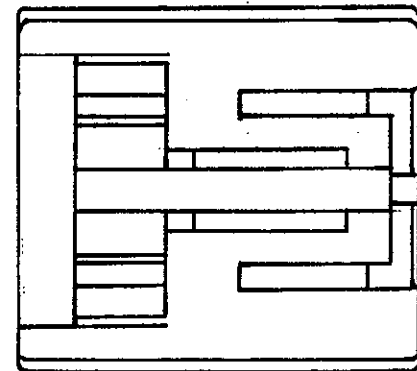
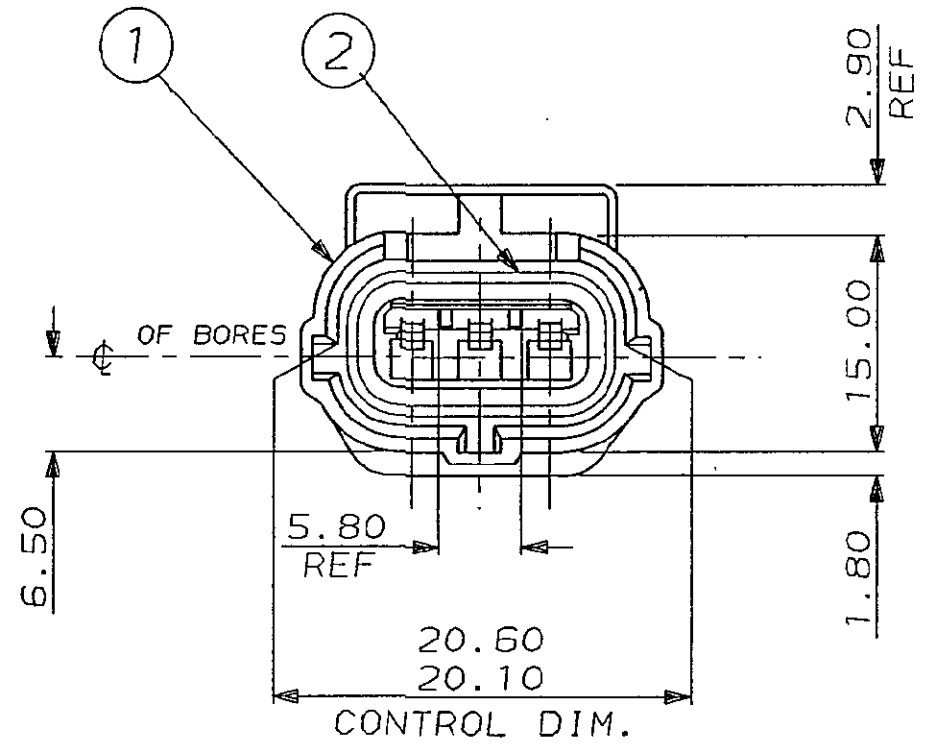


2 x 4.80
= 9.60

BORE CENTRES



SCRAP VIEW (SEAL NOT SHOWN)



SCRAP VIEW

OBSOLETE

| ITEM No. | COLOUR | MATERIAL | PART No. | DESCRIPTION | QTY. PER ASSY. | ASSEMBLY PART No. |
|----------|--------|-----------------|----------|-----------------|----------------|-------------------|
| 2 | BLACK | Non BIS NBR | | PERIPHERAL SEAL | 1 | 1-344273-4 |
| 1 | WHITE | NYLON 66 | 344272-4 | 3 WAY REC. HSG. | 1 | (WHITE) |
| 2 | BLACK | Non BIS NBR | | PERIPHERAL SEAL | 1 | 1-344273-3 |
| 1 | BLUE | NYLON 66 | 344272-3 | 3 WAY REC. HSG. | 1 | (BLUE) |
| 2 | BLACK | Non BIS NBR | | PERIPHERAL SEAL | 1 | 1-344273-2 |
| 1 | RED | NYLON 66 | 344272-2 | 3 WAY REC. HSG. | 1 | (RED) |
| 2 | BLACK | Non BIS NBR | | PERIPHERAL SEAL | 1 | 1-344273-1 |
| 1 | BLACK | NYLON 66 | 344272-1 | 3 WAY REC. HSG. | 1 | (BLACK) |
| 2 | ORANGE | SILICONE RUBBER | | PERIPHERAL SEAL | 1 | 344273-4 |
| 1 | WHITE | NYLON 66 | 344272-4 | 3 WAY REC. HSG. | 1 | (WHITE) |
| 2 | ORANGE | SILICONE RUBBER | | PERIPHERAL SEAL | 1 | 344273-3 |
| 1 | BLUE | NYLON 66 | 344272-3 | 3 WAY REC. HSG. | 1 | (BLUE) |
| 2 | ORANGE | SILICONE RUBBER | | PERIPHERAL SEAL | 1 | 344273-2 |
| 1 | RED | NYLON 66 | 344272-2 | 3 WAY REC. HSG. | 1 | (RED) |
| 2 | ORANGE | SILICONE RUBBER | | PERIPHERAL SEAL | 1 | 344273-1 |
| 1 | BLACK | NYLON 66 | 344272-1 | 3 WAY REC. HSG. | 1 | (BLACK) |

CUSTOMER DRG.
FOR REFERENCE ONLY.

| REV | MODIFICATION | ECO | DATE |
|-----|------------------|---------------------------|-----------|
| K4 | | ECR-23-184265 | 07FEB2024 |
| K3 | | ECR-15-009767 | 29JUN2015 |
| K2 | Seal Replacement | ECR-14-016166 | 18MAR2015 |
| K1 | | REVISED PER ECO-11-005294 | 08APR11 |

TOLERANCES
UNLESS OTHERWISE
STATED
DEC ± 0.5
ANGLES ± 1°

DR. R.S. 5.11.87

CH. R.R. APP. B.J.



NAME
3 WAY REC. HSG. ASSY.
ECONOSEAL 3 LOW CURRENT

| SCALE | LOC | SIZE | DWG. No. | REV | SHEET |
|-------|-----|------|----------|-----|-------|
| 2/1 | E | A3 | C344273 | K4 | 1/1 |