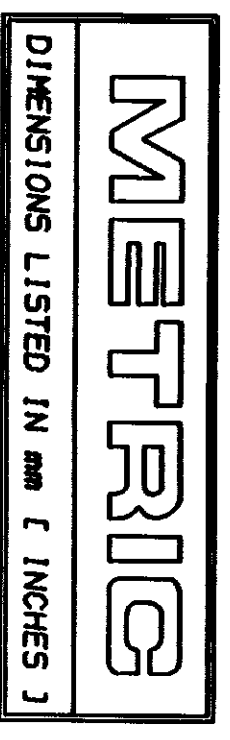
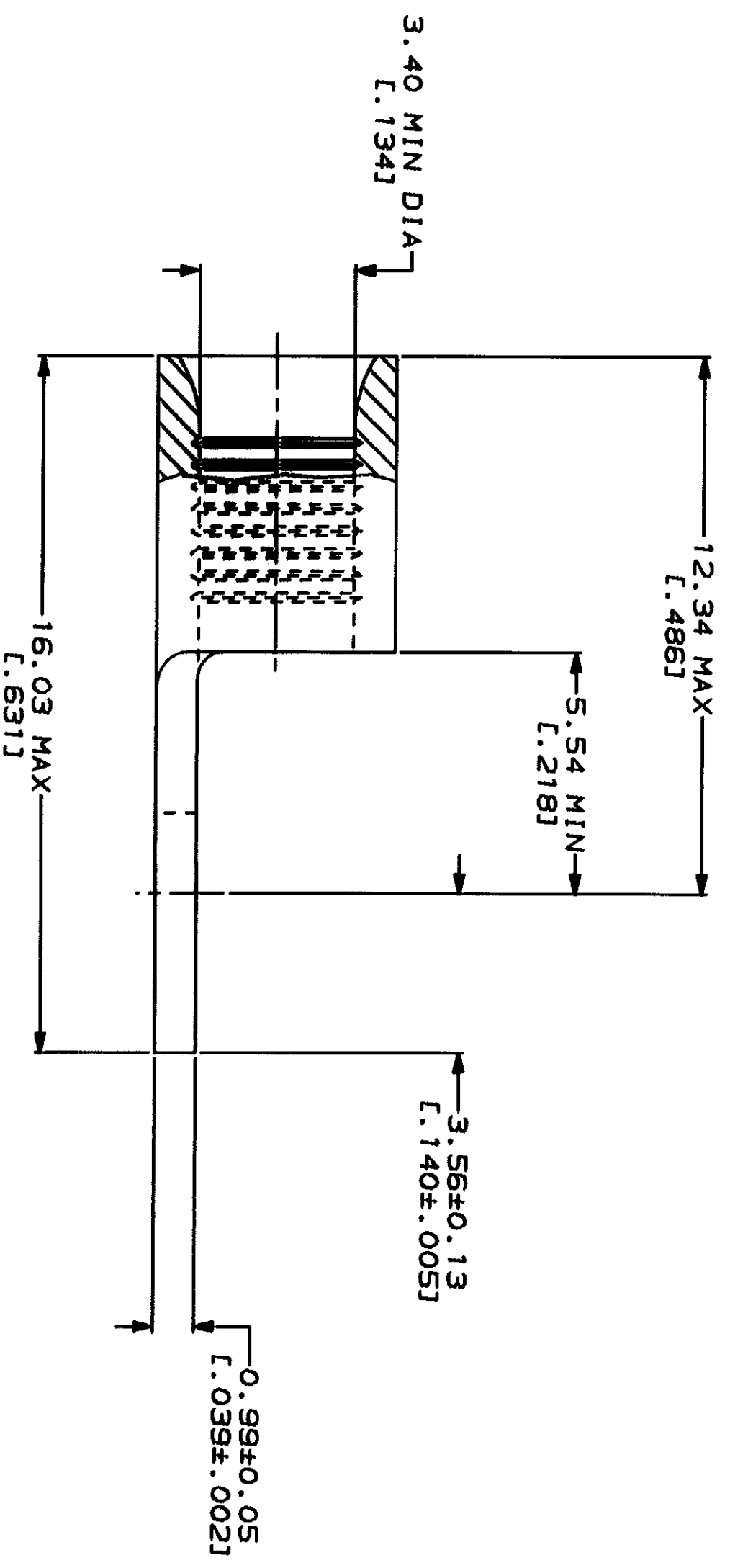
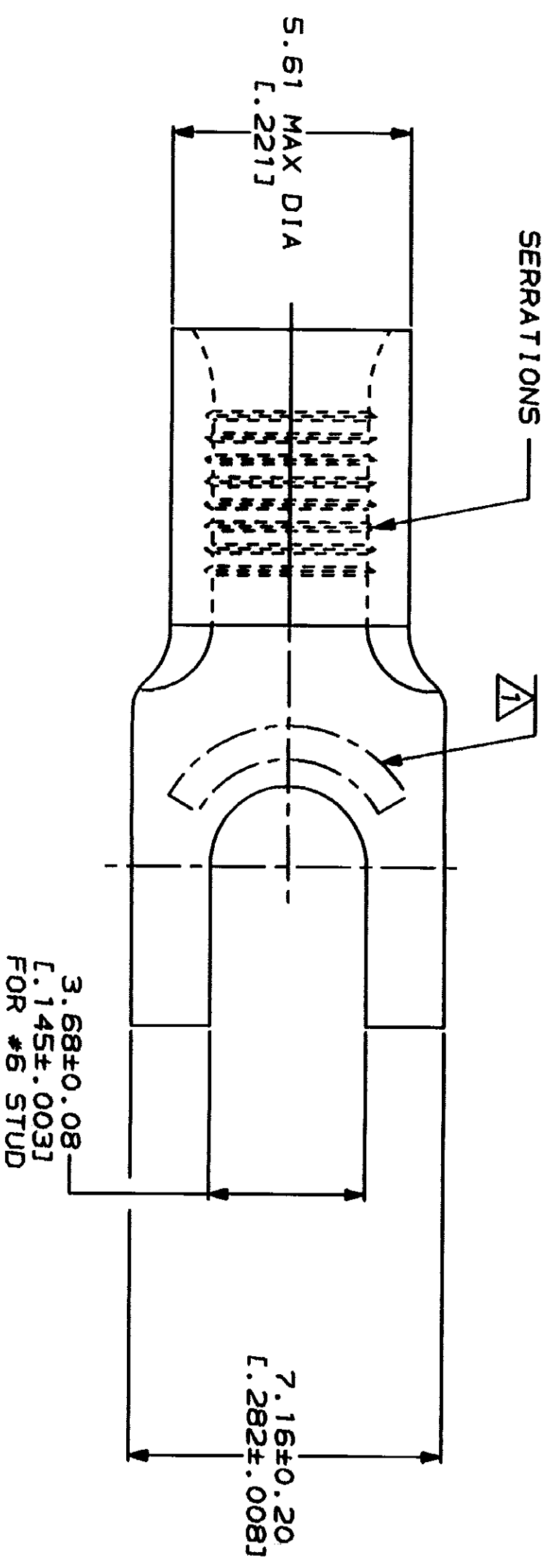


LOC	DIST	ZONE	LTR	REVISIONS	DESCRIPTION	DATE	APPD
G	14		A	REVISED PER 0720-0230-93			



AMP WIRE RANGE	UL E13288 Listed
12-10 AWG STRANDED	12-10 AWG STRANDED
LR7189 Certified	MILITARY P/N AND CLASS
NOT CERTIFIED	NOT APPLICABLE

△ STAMP AMP 12-10* APPROX AS SHOWN



AMP INCORPORATED
 CUSTOMER SERVICE SYSTEMS

FOR ADDITIONAL
 PRODUCT INFORMATION OR
 COPIES OF DRAWINGS
 AND TECHNICAL DOCUMENTS

FOR APPLICATION
 TOOLING INFORMATION
 FOR ORDER ENTRY

MAX RECOMMENDED OPERATING
 TEMPERATURE:
 170°C MAX

VOLTAGE RATING:
 NOT APPLICABLE

WIRE CROSS SECTIONAL AREA RANGE:
 2.62-6.64mm² (5,180-13,100) CIR MILS
 STRANDED

DO NOT SCALE PRINT.
 UNLESS SPECIFIED
 DIMENSIONS IN MILLIMETERS
 TOLERANCES ON:
 2 PLG DEC ± .1
 3 PLG DEC ± .1
 ANGLES
 MATERIAL

FINISH
 TIN PLATE
 0.00254(.000100) MIN
 THK PER MIL-T-10727

DR 2-18-93
 TA BRINKMAN
 CHK 2-18-93
 DA PATTERSON
 APPD 2-18-93
 DE HILLER
 APPD 2-18-93
 JL HECKLEY
 PRODUCT SPEC

AMP
 AMP Incorporated
 Harrisburg, PA 17105-3608

NAME
 TERMINAL, SPADE TONGUE,
 BUDGET

SIZE
 CAGE CODE
 00779
 DRAWING NO
 34384
 SCALE
 8:1
 SHEET
 1 OF 1