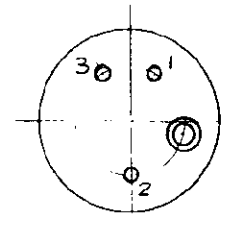
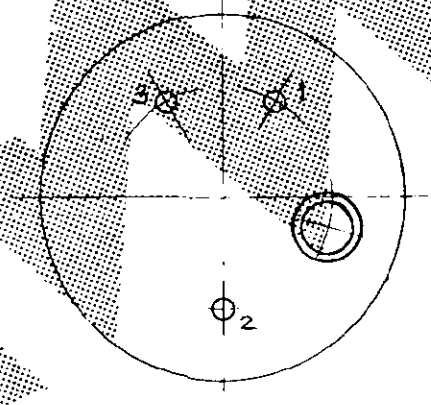
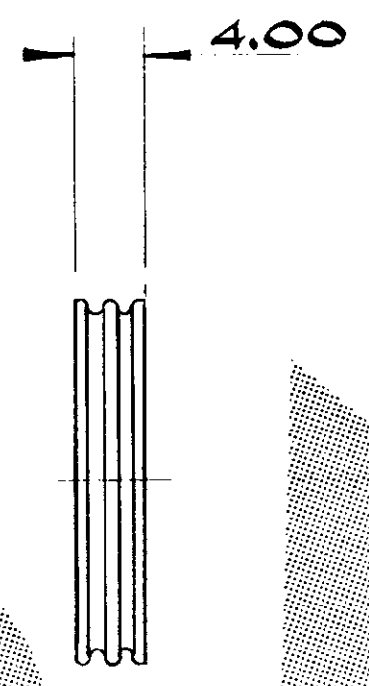
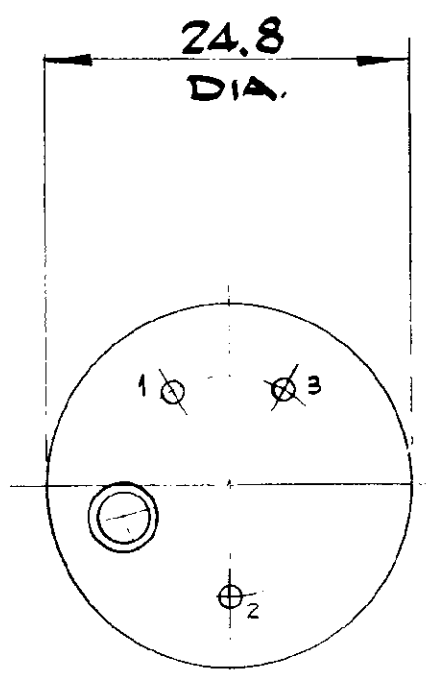
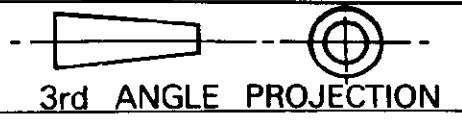


DO NOT SCALE  
DIMENSIONS IN m.m.

METRIC



ACTUAL SIZE

NOTES -

- 1. CABLE INSULATION DIA. 1.7 MIN. 4.5 MAX
- 2. THIS ITEM USED WITH 343048, 343049, 343078, 343062 & 172189
- 3. LUBRICATED WITH SILICONE OIL.

OTHER TREATMENT	FINISH	MATERIAL	PART NUMBER
	BLACK	POLYCHLOROPRENE	342526-1
CUSTOMER DWG FOR REFERENCE ONLY		THIS DRAWING IS UNPUBLISHED RELEASED FOR PUBLICATION 19	
		© COPYRIGHT 19 BY AMP OF GREAT BRITAIN LTD. ALL INTERNATIONAL RIGHTS RESERVED. AMP PRODUCTS MAY BE COVERED BY BRITISH AND FOREIGN PATENTS AND/OR PATENTS PENDING.	
TOLERANCES UNLESS OTHERWISE STATED:-	INS. DIA. RANGE	WIRE RANGE	SCALE
DEC ± 0.5			2:1
ANGLES ± 1°	AMP TERMINAL HOUSE STANMORE MIDDX.		
DR. D. P. TERRY	NAME		
CHK. M. J. Whelan	3 WAY CABLE SEAL.		
ISS REVISION RECORD	DR DATE	APP.	A3 LOC. DWG. NO. SHEET
			E C 342526 1 of 1