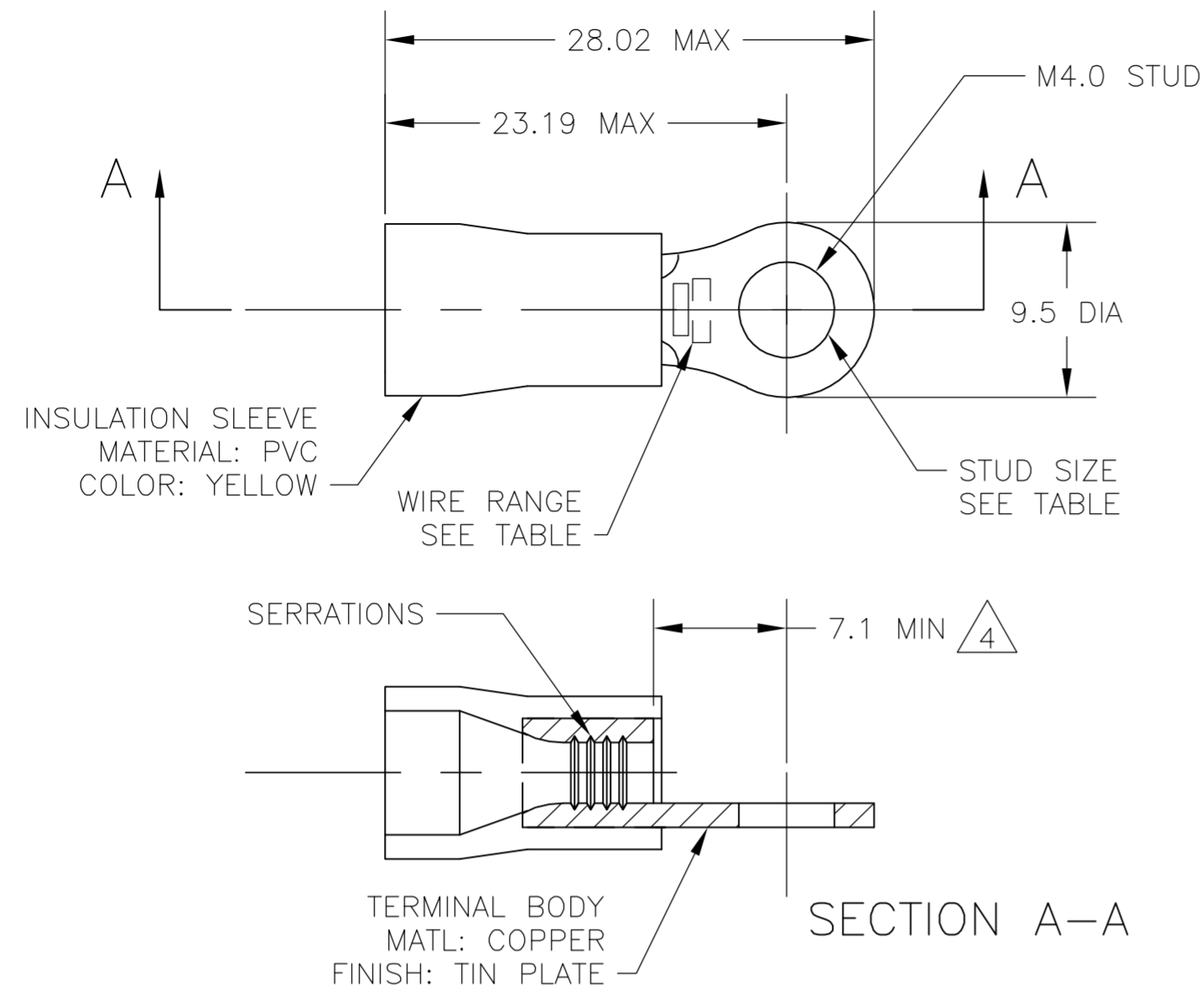


THIS DRAWING IS UNPUBLISHED. RELEASED FOR PUBLICATION
 © COPYRIGHT BY TYCO ELECTRONICS CORPORATION. ALL RIGHTS RESERVED.

LOC	DIST	REVISIONS			
P	LTR	DESCRIPTION	DATE	DWN	APVD
G	02	R1	REV PER ECR-06-001930	13FEB06	HMR TM



- 1 WIRE SIZE IS 12-10 AWG
- 2 WIRE INSULATION DIA: 3.8-6.4
- 3 MATERIAL THICKNESS IS 1.0
- $\triangle 4$ DIMENSION APPLIES FROM EDGE OF METAL WIRE BARREL TO END OF PIN.
- $\triangle 5$ SUPERSEDED BY 342183-1

POLY BAG WITH HEADER	STANDARD	50	$\triangle 5$ 7-342183-1
PLASTIC BOX	STANDARD	50	$\triangle 5$ 6-342183-1
TAPED MOUNTED	STANDARD	2500	2-342183-1
PLASTIC BAG	STANDARD	500	342183-1
PACKAGING	LABELLING	QTY	PART NO

DIMENSIONS: INCHES		TOLERANCES UNLESS OTHERWISE SPECIFIED:		DWN		CHK		APVD		NAME		SIZE	CAGE CODE	DRAWING NO	RESTRICTED TO
0 PLC		± -		jr ruth		T MICHIELUTTI		T MICHIELUTTI		Tyco Electronics Corporation		A2	00779	C=342183	-
1 PLC		± 0.5		02DEC05		02DEC05		02DEC05		Harrisburg, PA 17105-3608					
2 PLC		± -		PRODUCT SPEC		APPLICATION SPEC		APPLICATION SPEC		TERMINAL, RING TONGUE, PLASTI-GRIP,					
3 PLC		± -		MATERIAL		FINISH		WEIGHT		CUSTOMER DRAWING		SCALE	SHEET	REV	
4 PLC		± -		-		-		-		-		5:1	1 of 1	R1	
ANGLES		± 1°													