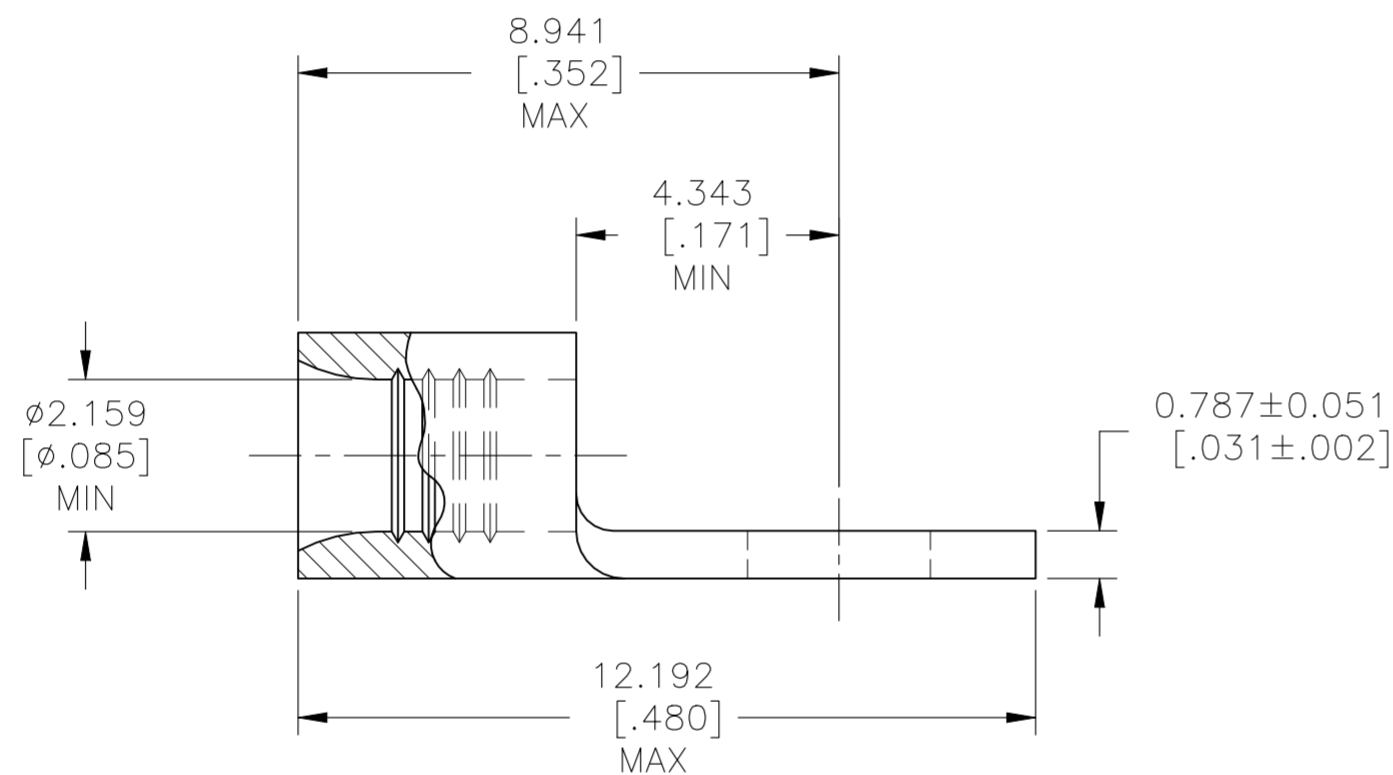
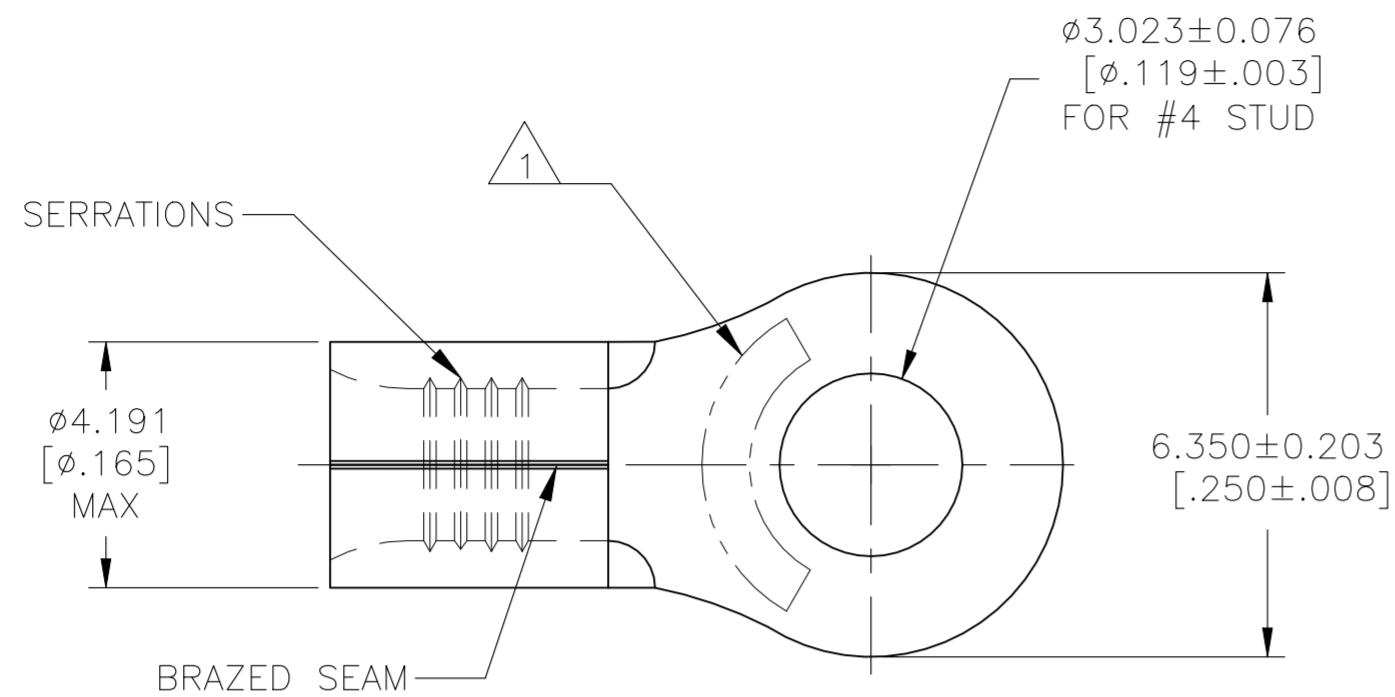


REVISIONS					
P	LTR	DESCRIPTION	DATE	DWN	APVD
D3		REVISED PER ECN-22-150900	28APR2022	RK	CSD



<b>AMP</b> WIRE RANGE	E13288 Listed
16-14 AWG SOLID OR STRANDED	16-14 AWG SOLID OR STRANDED
LR7189 Certified	
16-14 AWG SOLID OR STRANDED	

- 1 STAMP AMP 16-14\* APPROX AS SHOWN
- 2 0.00254 [.000100] MIN TIN PLATE PER ASTM B-545
- 3 NOTE DELETED
- 4 0.00254 [.000100] MIN TIN/LEAD(93/7) PLATE PER ASTM B545 (3% MIN LEAD CONTENT)

# AMP INCORPORATED CUSTOMER SERVICE SYSTEMS

MAX RECOMMENDED OPERATING TEMPERATURE:  
170° C [338°F] MAX

FOR ADDITIONAL PRODUCT INFORMATION OR COPIES OF DRAWINGS AND TECHNICAL DOCUMENTS

PRODUCT INFORMATION CENTER  
1-800-522-6752

VOLTAGE RATING:  
NOT APPLICABLE

FOR APPLICATION TOOLING INFORMATION

TOOLING ASSISTANCE CENTER  
1-800-722-1111

WIRE CROSS SECTIONAL AREA RANGE:  
1.04-2.62mm<sup>2</sup> [2,050-5,180] CIR MILS  
SOLID OR STRANDED

FOR ORDER ENTRY

1-800-526-5142

THIS DRAWING IS A CONTROLLED DOCUMENT FOR AMP INCORPORATED. IT IS SUBJECT TO CHANGE AND THE CONTROLLING ENGINEERING ORGANIZATION SHOULD BE CONTACTED FOR THE LATEST REVISION.

4	1000	LOOSE PIECE	34119-2
2	5000	ON TAPE	2-34119-1
	1000	LOOSE PIECE	34119
FINISH	QUANTITY	PACKAGING TYPE	PART NO

THIS DRAWING IS A CONTROLLED DOCUMENT.		DWN TA BRINKMAN 3-11-93	TE Connectivity	
		CHK DA PATTERSON 3-11-93		
		APVD DE MILLER 3-11-93	NAME	
		PRODUCT SPEC UL486 A-B	TERMINAL, RING TONGUE, SOLISTRAND 16-14 AWG	
		APPLICATION SPEC		
		FINISH	SIZE A2	CAGE CODE 00779
		MATERIAL COPPER PER ASTM B-152 ANNEALED	DRAWING NO C=34119	RESTRICTED TO
		SEE TABLE	SCALE 10:1	SHEET 1 OF 1
			CUSTOMER DRAWING	REV D3