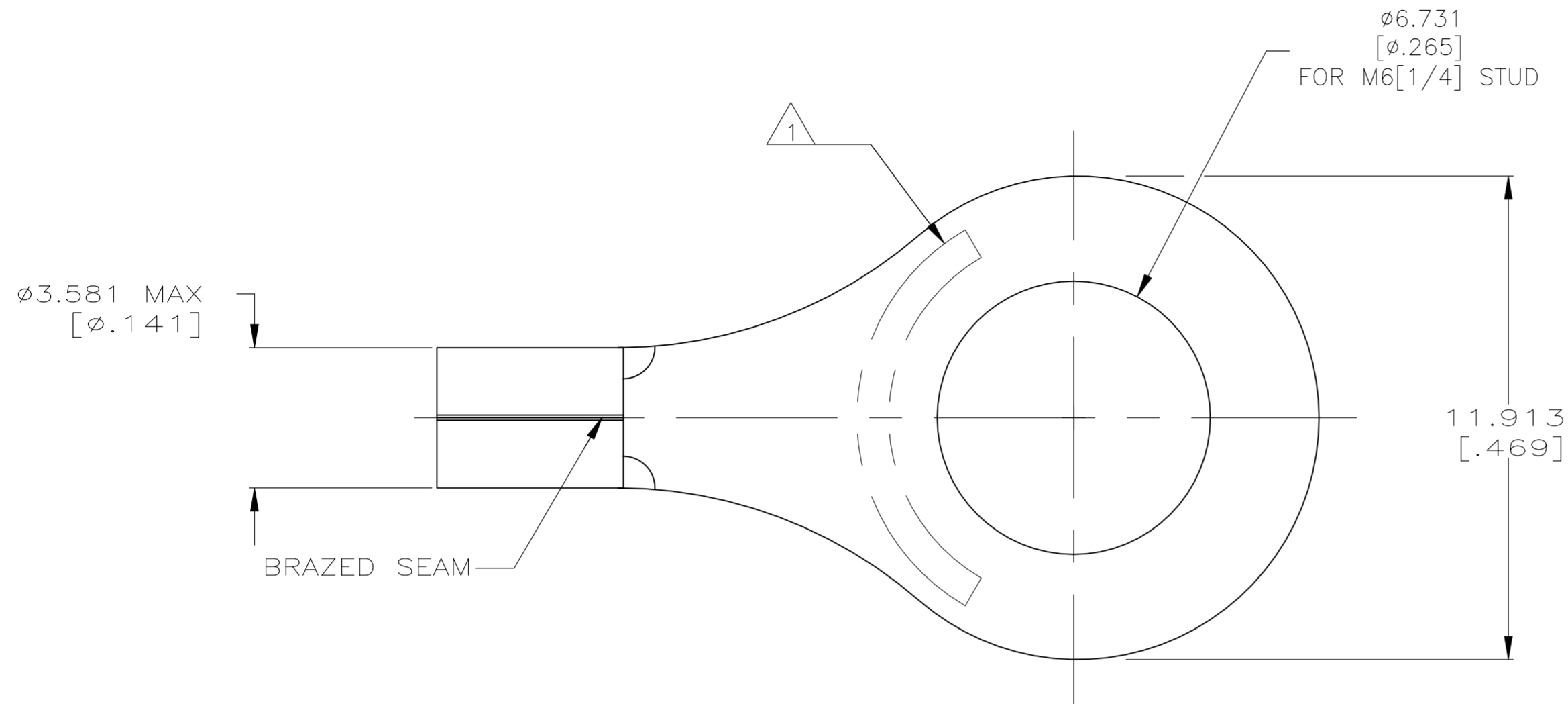
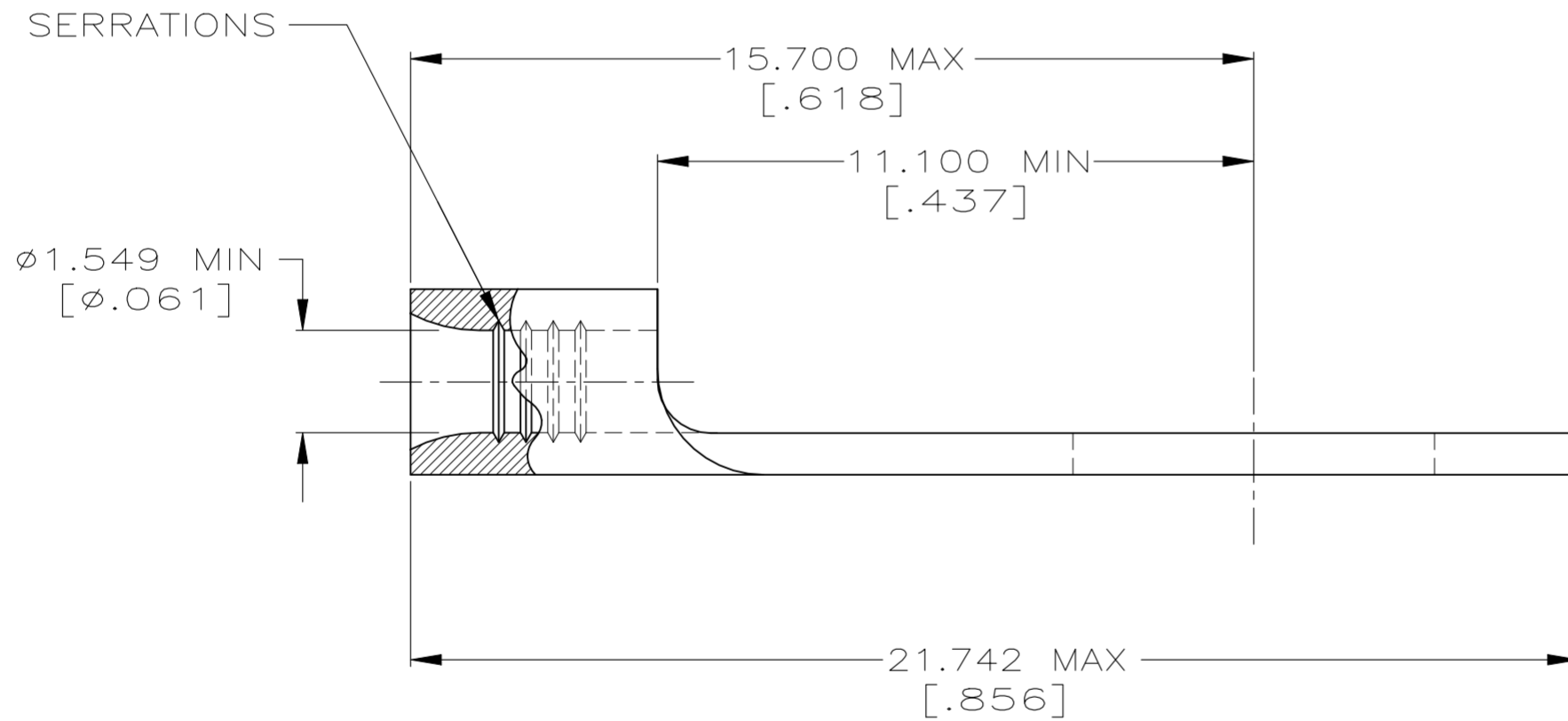


REVISIONS					
P	LTR	DESCRIPTION	DATE	DWN	APVD
E6		REVISED PER ECR-23-176275	02JUN2023	BB	DSC



<b>AMP</b> WIRE RANGE	Listed FILE E13288	LR7189 Certified
22-16 AWG SOLID OR STRANDED	22-16 AWG SOLID OR STRANDED	22-16 AWG SOLID OR STRANDED

- 1 STAMP AMP 22-18\* APPROX AS SHOWN  
COMMERCIAL WIRE RANGE IS 22-16
- 2 FINISH:  
TIN PLATE 0.00254[.000100]  
MIN EXT THK PER ASTM B545
- 3 NOTE DELETED
- 4 NOTE DELETED
- 5 MATERIAL: COPPER PER ASTM B152, ANNEALED
- 6 BODY MATERIAL THK: 0.787±0.051[.031±.002]



100	LOOSE PIECE, BOX	8-34113-1
5000	ON TAPE	2-34113-2
1000	LOOSE PIECE	34113
QTY	PACKAGE TYPE	PART NUMBER

<b>AMP INCORPORATED</b> <b>CUSTOMER SERVICE SYSTEMS</b>		MAX RECOMMENDED OPERATING TEMPERATURE: 170°C[338°F]		THIS DRAWING IS A CONTROLLED DOCUMENT.		DWN TA BRINKMAN 3-10-93		TE Connectivity	
		FOR ADDITIONAL PRODUCT INFORMATION OR COPIES OF DRAWINGS AND TECHNICAL DOCUMENTS PRODUCT INFORMATION CENTER 1-800-522-6752		VOLTAGE RATING: N/A		DIMENSIONS: mm [INCHES]			
FOR APPLICATION TOOLING ASSISTANCE CENTER 1-800-722-1111		CIRCULAR MIL AREA: 0.26-1.65mm²[509-3260] CIR MILS SOLID OR STRANDED		TOLERANCES UNLESS OTHERWISE SPECIFIED: 0 PLC ± - 1 PLC ± - 2 PLC ± - 3 PLC ± 0.127[.005] 4 PLC ± - ANGLES ± -		APVD DE MILLER 3-10-93		NAME	
FOR ORDER ENTRY 1-800-526-5142		THIS DRAWING IS A CONTROLLED DOCUMENT FOR AMP INCORPORATED. IT IS SUBJECT TO CHANGE AND THE CONTROLLING ENGINEERING ORGANIZATION SHOULD BE CONTACTED FOR THE LATEST REVISION.		MATERIAL 5		FINISH 2		PRODUCT SPEC UL 486A-B APPLICATION SPEC - WEIGHT - SIZE A2 CAGE CODE 00779 DRAWING NO C-34113 RESTRICTED TO - SCALE 8:1 SHEET 1 OF 1 REV E6	