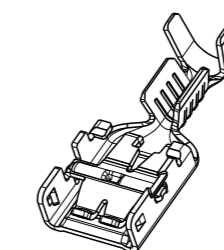
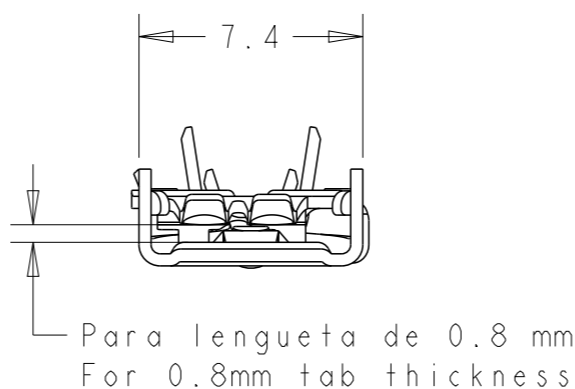
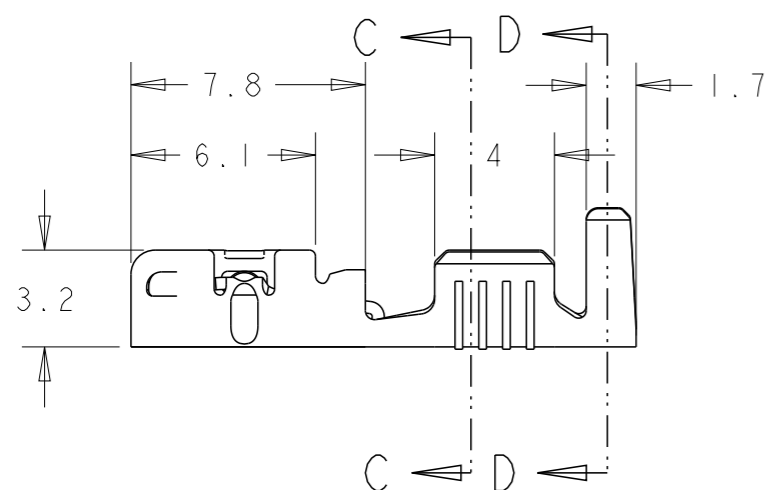


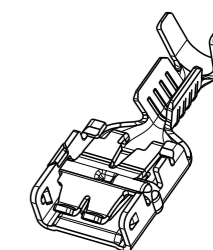
REVISIONS

P	LTR	DESCRIPTION	DATE	DWN	APVD
	K2	REVISED PER ECR-15-013036	03SEP2015	NK	DC
	K3	REVISED PER ECR-23-190201	06NOV2023	DB	RE

PACKAGING DETAILS:
 QUANTITY PER REEL: 8000 PCS(END FEED).
 SPLICES FREE

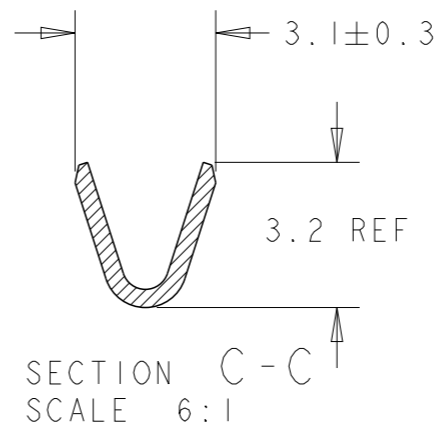
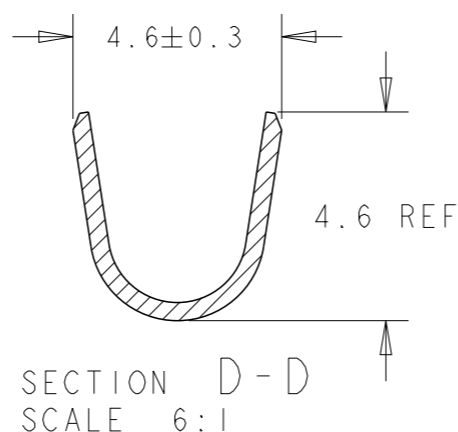
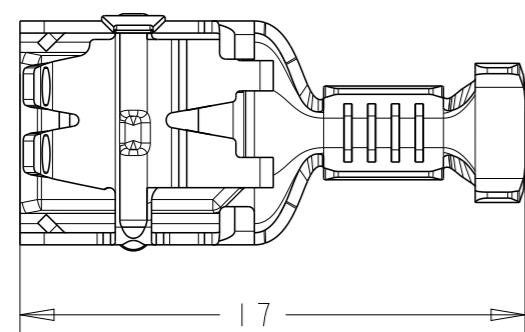


Left-sided product

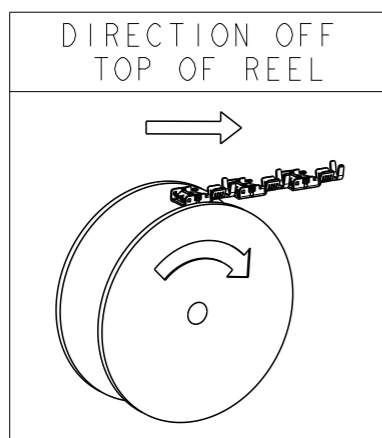


Right-sided product

Rango de hilo de 0,5 a 1,5 mm²
 Wire range from 0.5 to 1.5 mm²
 Diametro de aislante max 3,0 mm
 Max. Insulation Diameter 3.0 mm



	336075-7 (REELED WITH PAPER INTERLEAVE)	Latón Brass	Preestañado Pre-Tin
	336075-6	CuNiSi	Preestañado Pre-Tin
OBSOLETE	336075-5	Acero Steel	Preniquelado Pre-Ni
	336075-3	Latón Brass	Preestañado Pre-Tin
	336075-1	Latón Brass	-
	Guion Dash	Material	Acabado Finish



THIS DRAWING IS A CONTROLLED DOCUMENT.		DWN	J. Saló	22 Dec 04	STE TE Connectivity
		CHK	L. L.	22 Dec 04	
		APVD	-	-	
		PRODUCT SPEC	108-22128 Brass	108-22150 Pre-Ni Steel	
DIMENSIONS: mm		TOLERANCES UNLESS OTHERWISE SPECIFIED:		NAME E-SPRING CONTACT 6,35 Receptaculo 6.35 Receptacle E-SPRING CONTACT	
0 PLC ±0.5		1 PLC ±0.5		APPLICATION SPEC	
1 PLC ±0.5		2 PLC ±		114-22017	
2 PLC ±		3 PLC ±		WEIGHT	
3 PLC ±		4 PLC ±		-	
4 PLC ±		ANGLES ±		SIZE	
MATERIAL		FINISH		CAGE CODE	
Table		Table		A300779	
-		-		DRAWING NO	
				C=336075	
				RESTRICTED TO	
				-	
				SCALE	
				4:1	
				SHEET	
				1 OF 1	
				REV	
				K3	