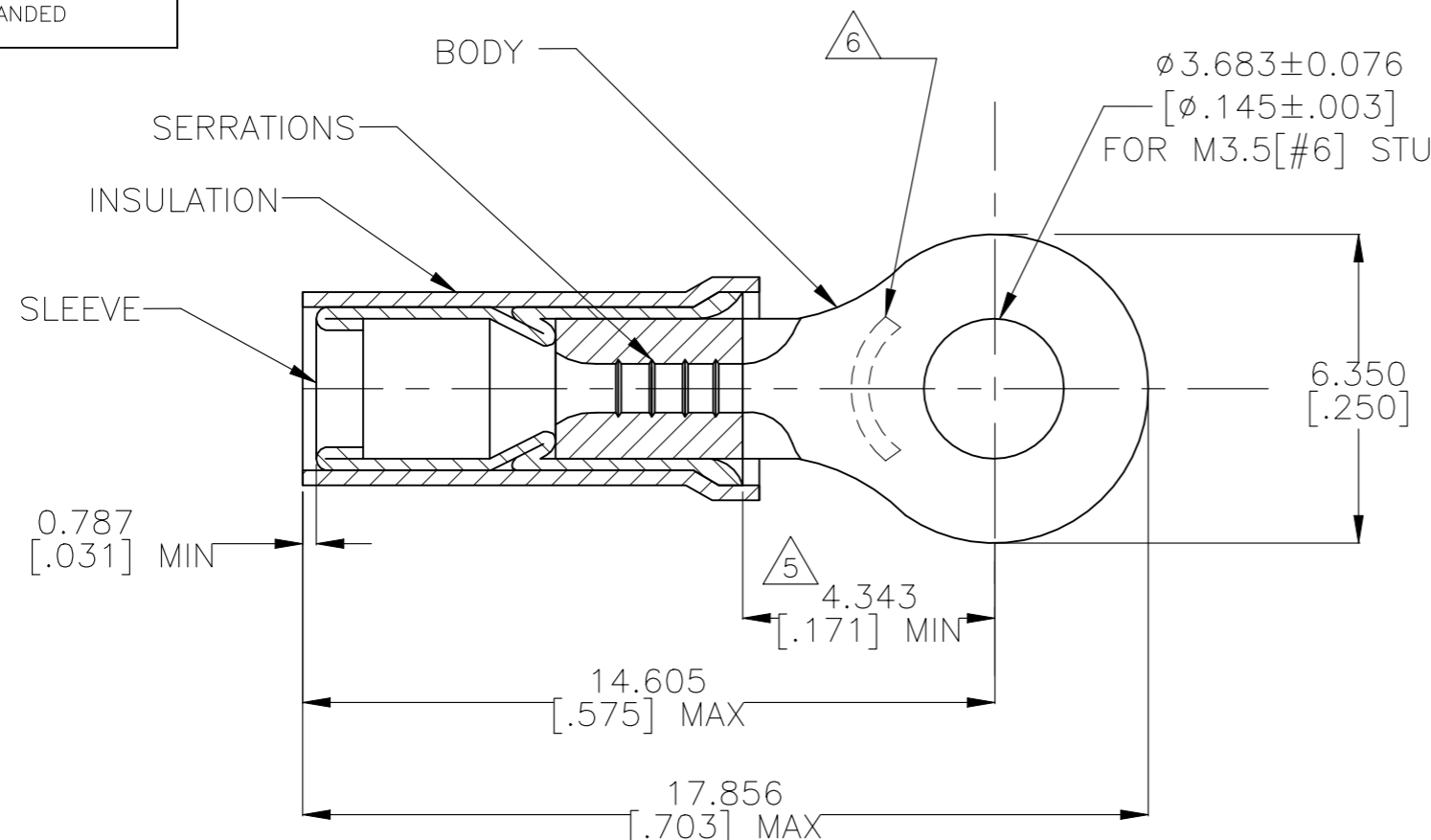


REVISIONS

P	LTR	DESCRIPTION	DATE	DWN	APVD
	K6	ECR-22-138429	18MAY2022	LP	DSC

AMP
WIRE RANGE

14 AWG
STRANDED



- 1 MATERIAL:
BODY & SLEEVE – COPPER PER ASTM B152
INSULATION – PTFE PER ASTM D4895
- FINISH:
BODY – GOLD PLATE 0.00127[.00005] MIN EXT
THK PER ASTM B488 TYPE 1, CODE C
OVER NICKEL PLATE 0.00076[.00003] AVG
EXT THK PER SAE AMS-QQ-N-290
SLEEVE – NICKEL PLATE 0.001651[.000065] AVG EXT
THK PER SAE AMS-QQ-N-290
INSULATION COLOR – WHITE
- 2 FOR 2.032[.080] TO 3.810[.150] WIRE INSULATION DIA.
- 3 BODY MATERIAL THK: 0.787±0.051 [.031±.002]
- 4 NOTE DELETED
- 5 DIMENSION APPLIES FROM EDGE OF METAL
WIRE BARREL TO CENTER OF STUD HOLE
- 6 STAMP "AMP 14" APPROX AS SHOWN

1000	LOOSE PIECE	1-332438-0
QTY	PACKAGE TYPE	PART NO.

AMP INCORPORATED CUSTOMER SERVICE SYSTEMS		MAX RECOMMENDED OPERATING TEMPERATURE: 260°C [500°F]	THIS DRAWING IS A CONTROLLED DOCUMENT.		DWN NAGALAKSHMI K 01DEC2015	STE TE Connectivity			
		VOLTAGE RATING: 300V MAX	DIMENSIONS: mm [INCHES]	TOLERANCES UNLESS OTHERWISE SPECIFIED:	CHK MERCURIO MAURIZIO 01DEC2015				
FOR ADDITIONAL PRODUCT INFORMATION OR COPIES OF DRAWINGS AND TECHNICAL DOCUMENTS	PRODUCT INFORMATION CENTER 1-800-522-6752	CIRCULAR MIL AREA: 2.15mm²[4,234] STRANDED WIRE ONLY		0 PLC ± -	APVD MERCURIO MAURIZIO 01DEC2015	NAME TERMINAL, RING TONGUE, PIDG, STRATO-THERM, WIRE SIZE: 14 AWG			
FOR APPLICATION TOOLING INFORMATION	TOOLING ASSISTANCE CENTER 1-800-722-1111	MATERIAL		1 PLC ± -	PRODUCT SPEC				
FOR ORDER ENTRY	1-800-526-5142			2 PLC ± -	APPLICATION SPEC	SIZE	CAGE CODE	DRAWING NO	RESTRICTED TO
				3 PLC ± 0.127[.005]	114-2162	A3	00779	C-332438	
				4 PLC ± -	WEIGHT				
				ANGLES ± -	CUSTOMER DRAWING	SCALE	NTS	SHEET	1 OF 1
				FINISH				REV	K6