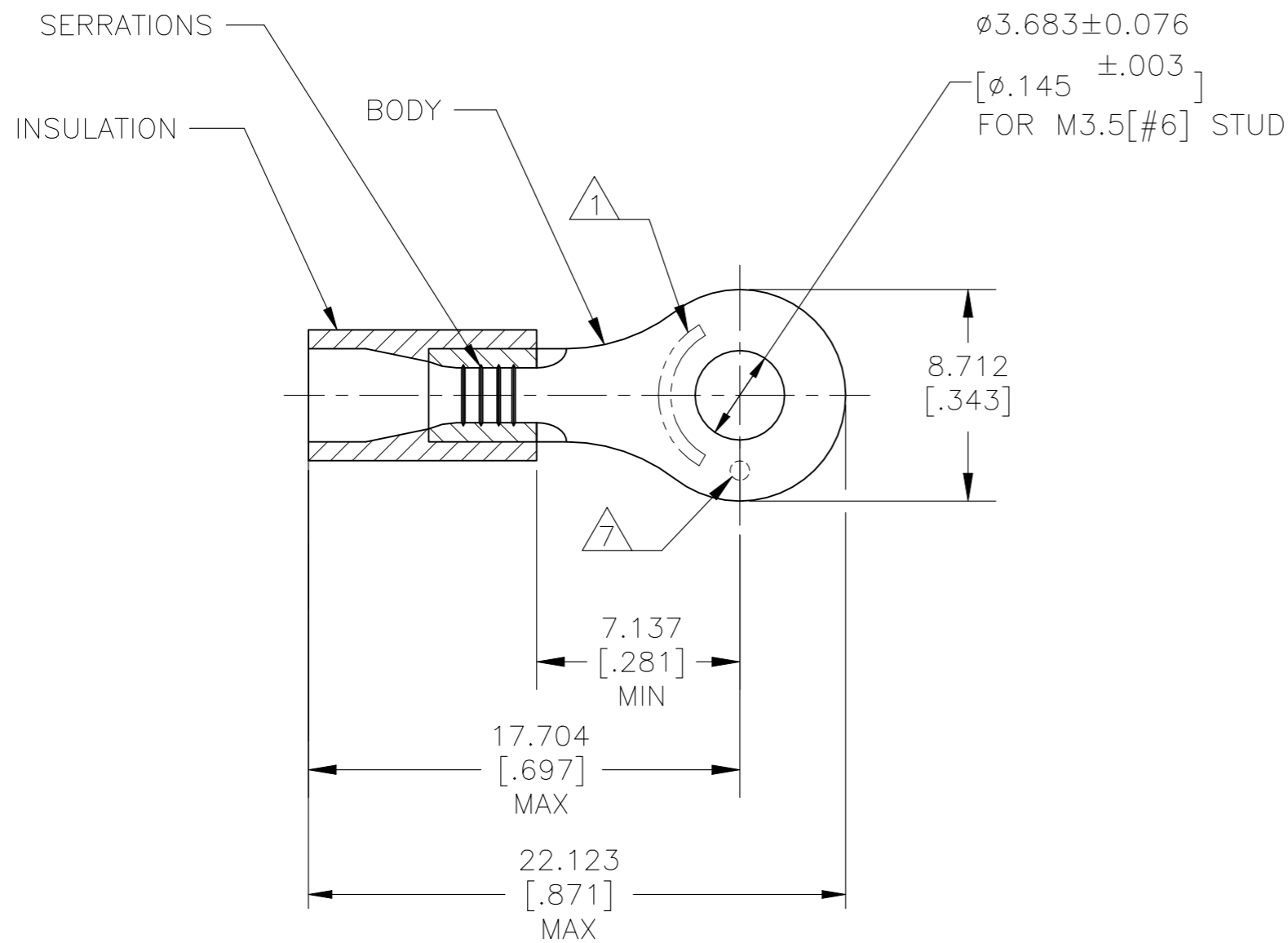


REVISIONS				
P	LTR	DESCRIPTION	DATE	APVD
	J	REVISED PER ECN-23-224519	03AUG2023	SA DSC

<b>AMP</b> WIRE RANGE	Listed FILE E13288	LR7189 Certified
16-14 AWG SOLID OR STRANDED	16-14 AWG SOLID OR STRANDED	16-14 AWG SOLID OR STRANDED



- 1 STAMP AMP 16-14\* APPROX AS SHOWN
- 2 WIRE INSULATION DIAMETER:  
ø2.667[.105] TO ø3.556[.140]
- 3 BODY MATERIAL THK: 0.787±0.051[.031±.002]
- 4 MATERIAL:  
BODY - COPPER PER ASTM B152  
INSULATION - PVC
- 5 NOTE DELETED
- 6 FINISH:  
BODY - TIN PLATE 0.00254[.000100]  
MIN EXT THK PER ASTM B545  
INSULATION COLOR - BLUE
- 7 DIMPLE STAMP MARK OPTIONAL

5000	ON TAPE, REEL	2-32958-1
1000	LOOSE PIECE	32958
QTY	PACKAGE TYPE	PART NO.

<b>AMP INCORPORATED CUSTOMER SERVICE SYSTEMS</b>		MAX RECOMMENDED OPERATING TEMPERATURE: 105°C [221° F]	THIS DRAWING IS A CONTROLLED DOCUMENT.		DWN DK SCHRUM 09/29/92	TE Connectivity			
FOR ADDITIONAL PRODUCT INFORMATION OR COPIES OF DRAWINGS AND TECHNICAL DOCUMENTS	PRODUCT INFORMATION CENTER 1-800-522-6752	VOLTAGE RATING: 600V MAX [1000V SIGNS OR FIXTURES]	DIMENSIONS: mm [INCHES]	TOLERANCES UNLESS OTHERWISE SPECIFIED:	CHK RE HERSEY 11/10/92				NAME M BARNABA
FOR APPLICATION TOOLING INFORMATION	TOOLING ASSISTANCE CENTER 1-800-722-1111	CIRCULAR MIL AREA: 1.04-2.62mm² [2050-5180] SOLID OR STRANDED		0 PLC ± - 1 PLC ± - 2 PLC ± - 3 PLC ± ± 0.127[.005] 4 PLC ± - ANGLES ± -	APVD M BARNABA 11/10/92	PRODUCT SPEC UL 486A-B			
FOR ORDER ENTRY	1-800-526-5142	THIS DRAWING IS A CONTROLLED DOCUMENT FOR AMP INCORPORATED. IT IS SUBJECT TO CHANGE AND THE CONTROLLING ENGINEERING ORGANIZATION SHOULD BE CONTACTED FOR THE LATEST REVISION.	MATERIAL 4	FINISH 6	APPLICATION SPEC 114-2161	SIZE A3	CAGE CODE 00779	DRAWING NO C-32958	RESTRICTED TO -
CUSTOMER DRAWING					WEIGHT -	SCALE 4:1	SHEET 1 OF 1	REV J	