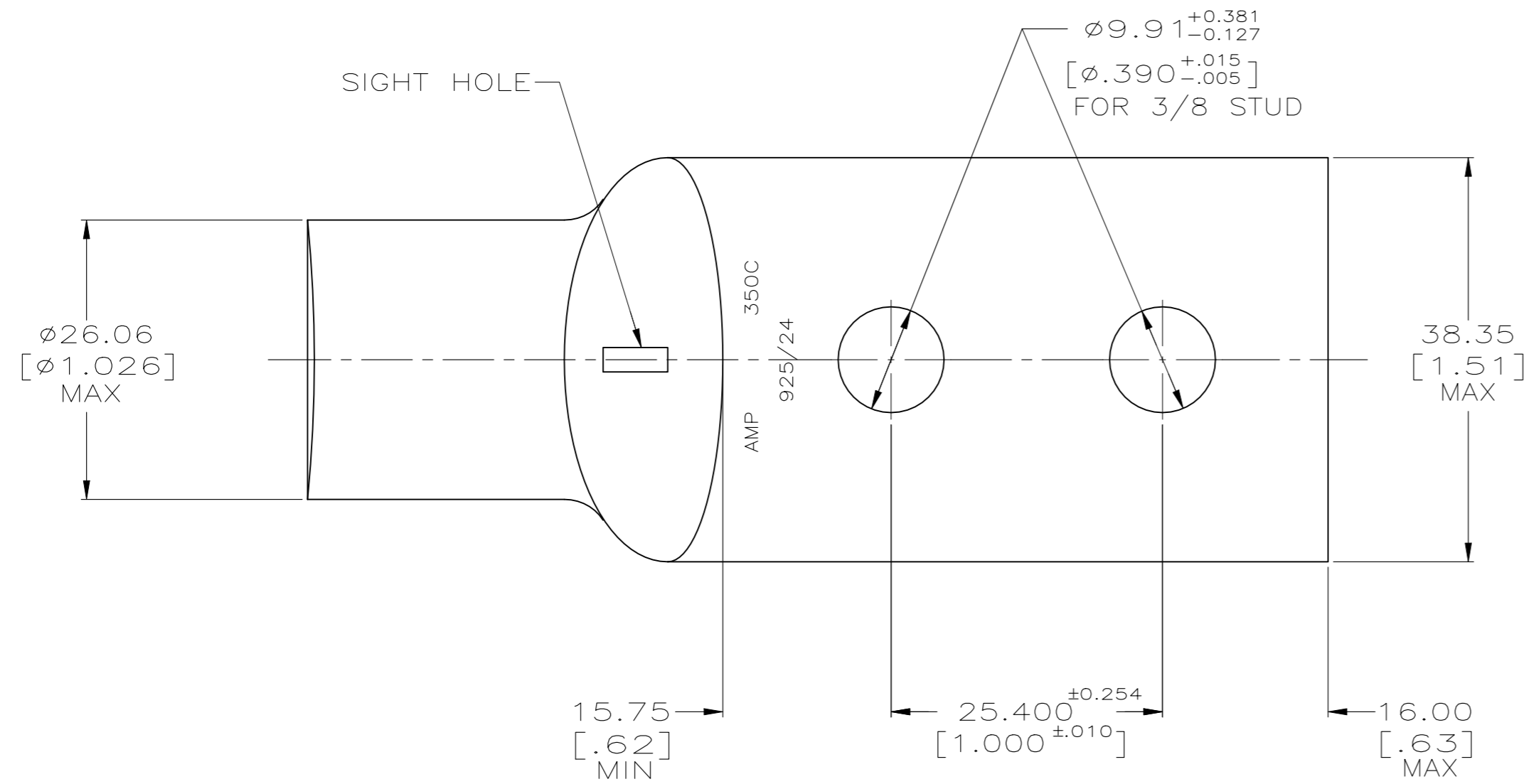
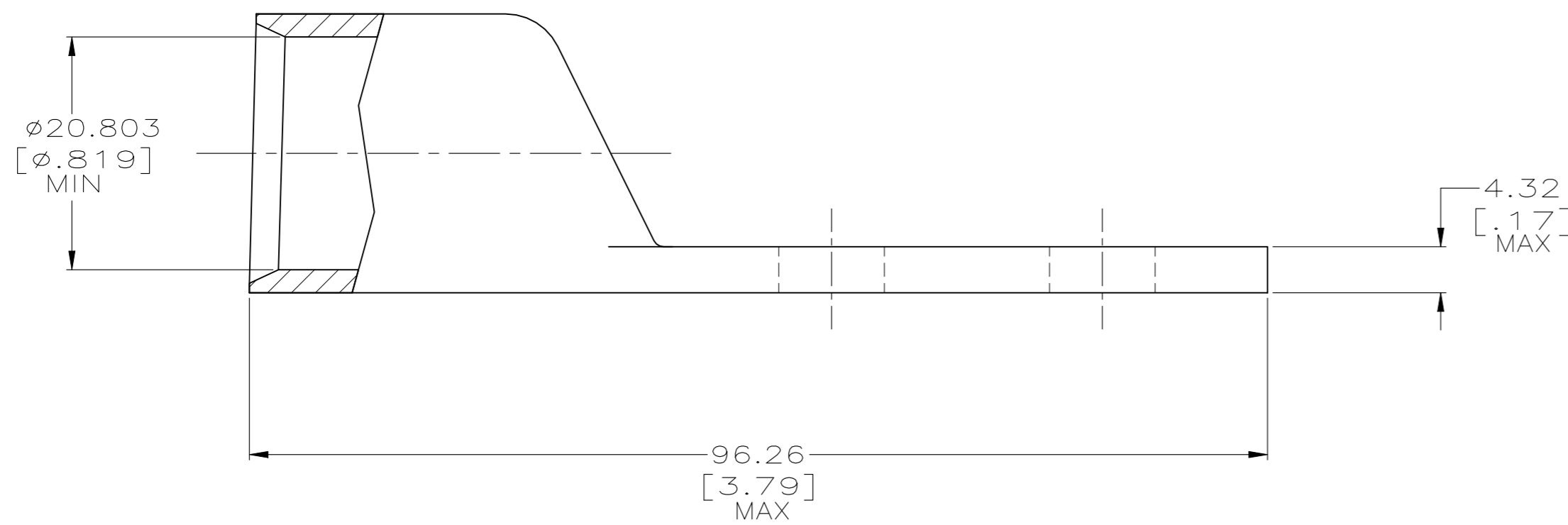


REVISIONS				
P	LTR	DESCRIPTION	DATE	APVD
	U1	ECR-24-196340	09JAN2024	LP DSC



- 1 CIRCULAR MIL AREA RANGE: 325-375 MCM
- 2 FINISH: TIN PL 0.00381[.000150] MIN EXT THK PER ASTM B545
- 3 MATERIAL: COPPER PER ASTM B75, ANNEALED



25	LOOSE PIECE	326806
QTY	PACKAGE TYPE	PART NO

AMP INCORPORATED CUSTOMER SERVICE SYSTEMS		MAX RECOMMENDED OPERATING TEMPERATURE: 105°C [221°F] MAX		THIS DRAWING IS A CONTROLLED DOCUMENT.		DWN DK SCHRUM 28FEB1990 CHK MS FEHER 23JAN1995		TE Connectivity	
		FOR ADDITIONAL PRODUCT INFORMATION OR COPIES OF DRAWINGS AND TECHNICAL DOCUMENTS PRODUCT INFORMATION CENTER 1-800-522-6752		VOLTAGE RATING: NOT APPLICABLE		DIMENSIONS: INCHES			
FOR APPLICATION TOOLING INFORMATION TOOLING ASSISTANCE CENTER 1-800-722-1111		CIRCULAR MIL AREA: 164.7 mm ² - 190.0 mm ² [325 MCM - 375 MCM]				APPLICATION SPEC 108-30200 114-2150		NAME WJ VOCKROTH PRODUCT SPEC	
FOR ORDER ENTRY 1-800-526-5142		THIS DRAWING IS A CONTROLLED DOCUMENT FOR AMP INCORPORATED. IT IS SUBJECT TO CHANGE AND THE CONTROLLING ENGINEERING ORGANIZATION SHOULD BE CONTACTED FOR THE LATEST REVISION.				MATERIAL 		FINISH 	
						WEIGHT -		SIZE A2	
						SCALE 2:1		SHEET 1 of 1	
						RESTRICTED TO -		REV U1	