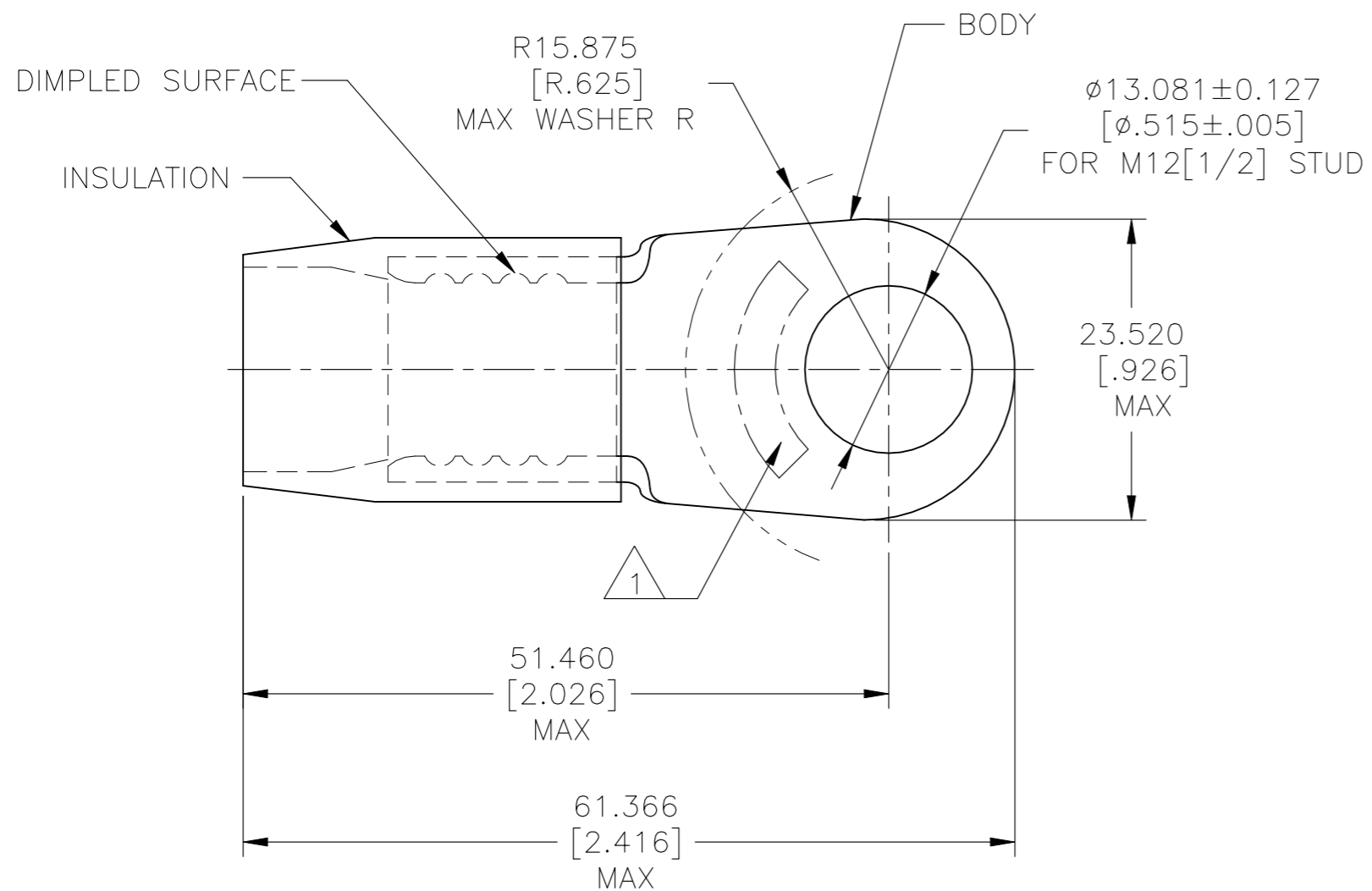


REVISIONS

P	LTR	DESCRIPTION	DATE	DWN	APVD
	F3	REV PER ECN-22-150900	28APR2022	RK	CSD

AMP WIRE RANGE
2/0 AWG STRANDED



- 1 STAMP AMP 2/0 W*, LOCATE APPROX AS SHOWN.
- 2 BODY MATERIAL THK 2.032±0.051 [.080±.002]
- 3 WIRE INSULATION φ15.494 [φ.610] MAX.
- 4 BODY: COPPER PER ASTM B-152
INSULATION: NYLON ASTM D4066 TYPE I.
- 5 BODY: TIN PLATED PER ASTM B-545
INSULATION: COLOR-YELLOW.

50	LOOSE PC	324085
QTY	PACKAGE TYPE	PART NO

MAX RECOMMENDED OPERATING TEMPERATURE: 105°C[221°F]	THIS DRAWING IS A CONTROLLED DOCUMENT.		DWN S.S. GOULDEN 9-28-93	STE TE Connectivity		
	VOLTAGE RATING: -	DIMENSIONS: mm [INCHES]	TOLERANCES UNLESS OTHERWISE SPECIFIED:			
CIRCULAR MIL AREA: 60.6-76.3mm ² [119,500-150,500] STRANDED	MATERIAL 4	FINISH 5	APVD M ELLIS 9-28-93	NAME TERMINAL, RING TONGUE, PLASTI-GRIP, WIRE SIZE: 2/0 AWG		
			PRODUCT SPEC -	APPLICATION SPEC -	SIZE A3	CAGE CODE 00779
			WEIGHT -	RESTRICTED TO -		SCALE NTS
CUSTOMER DRAWING			SHEET 1 OF 1		REV F3	