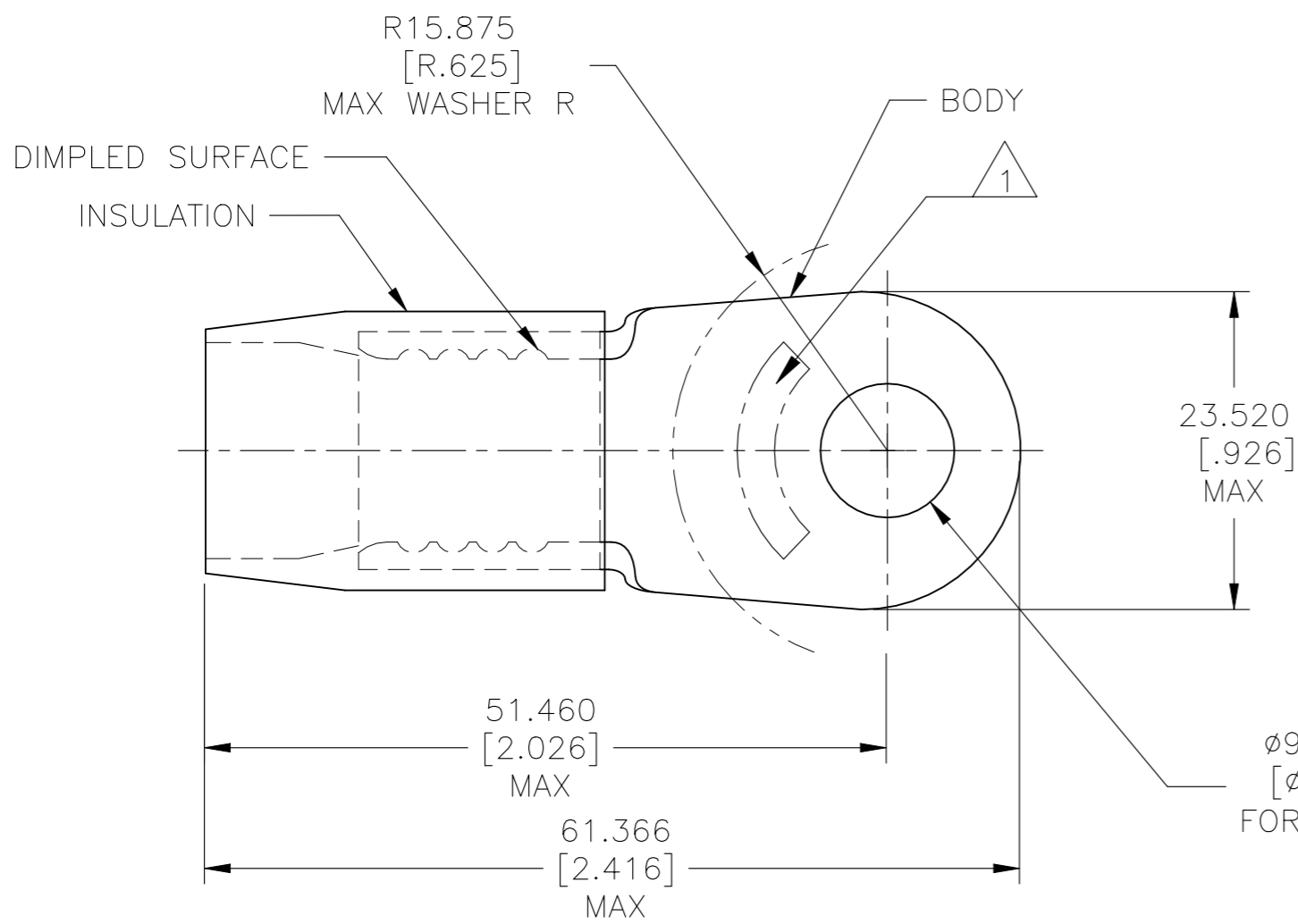


REVISIONS				
P	LTR	DESCRIPTION	DATE	APVD
	F4	REVISED PER ECN-22-150900	28APR2022	RK CSD



AMP WIRE RANGE
2/0 AWG STRANDED

- 1 STAMP AMP 2/0 W*, LOCATE APPROX AS SHOWN.
- 2 BODY MATERIAL THK 2.032±0.051 [.080±.002]
- 3 WIRE INSULATION ø15.494 [ø.610] MAX.
- 4 BODY: COPPER PER ASTM B-152
INSULATION: NYLON ASTM D4066 TYPE I.
- 5 BODY: TIN PLATED PER ASTM B-545
INSULATION: COLOR-YELLOW.

50	LOOSE PC	324084
QTY	PACKAGE TYPE	PART NO

MAX RECOMMENDED OPERATING TEMPERATURE: 105°C[221°F]	THIS DRAWING IS A CONTROLLED DOCUMENT.		DWN S.S. GOULDEN 9-28-93	TE Connectivity			
	VOLTAGE RATING: -	DIMENSIONS: mm [INCHES]	TOLERANCES UNLESS OTHERWISE SPECIFIED:				CHK R. HERSEY 9-28-93
CIRCULAR MIL AREA: 60.6-76.3mm ² [119,500-150,500] STRANDED		0 PLC ± - 1 PLC ± - 2 PLC ± - 3 PLC ± 0.127[.005] 4 PLC ± - ANGLES ± -	APVD M ELLIS 9-28-93	NAME TERMINAL, RING TONGUE, TERMINYL, WIRE SIZE: 2/0 AWG			
			MATERIAL 4	FINISH 5	PRODUCT SPEC -	APPLICATION SPEC -	SIZE A3
CUSTOMER DRAWING			WEIGHT -	SCALE NTS	SHEET 1 OF 1	REV F4	