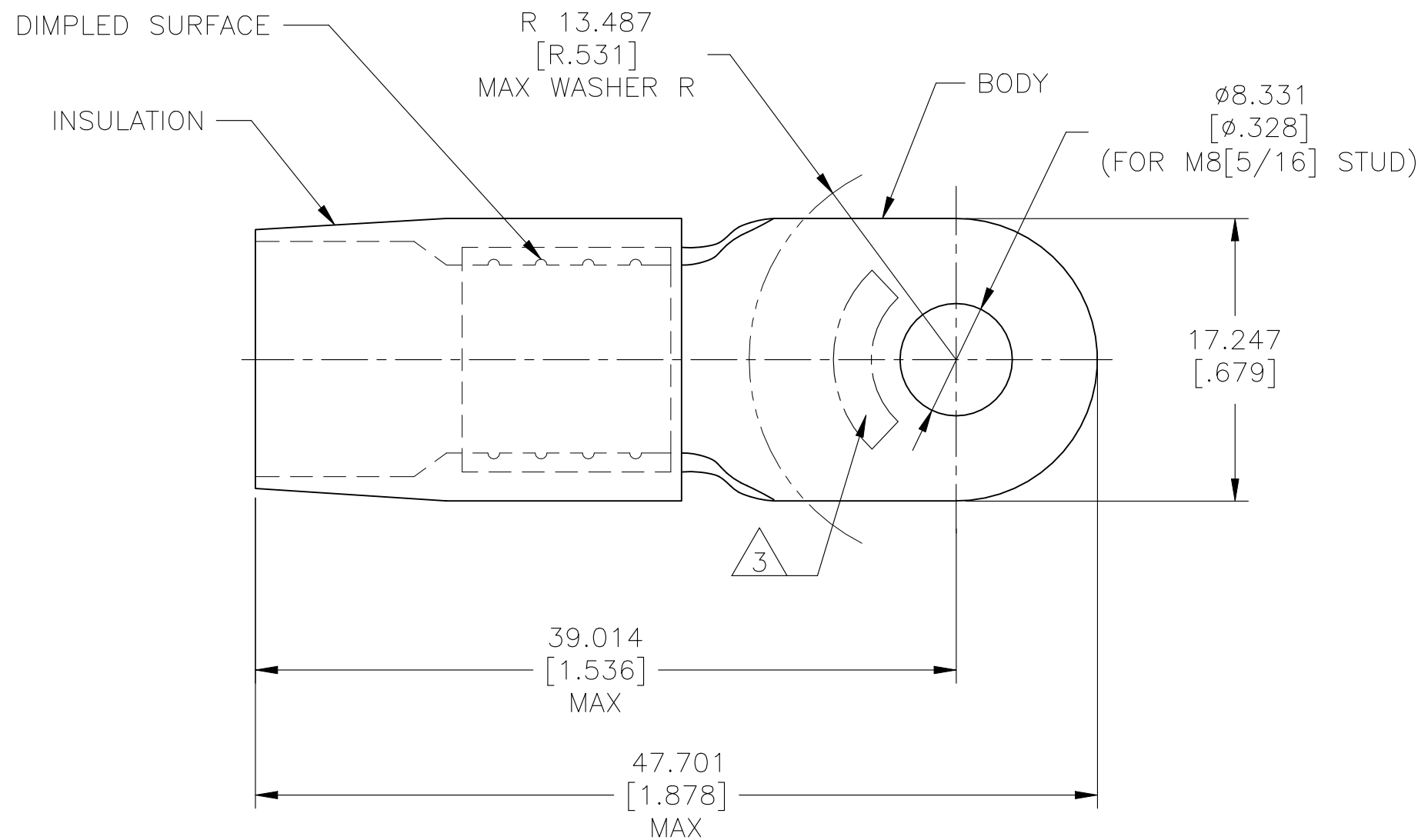
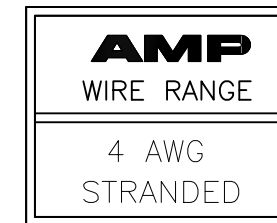


REVISIONS

P	LTR	DESCRIPTION	DATE	DWN	APVD
	F2	ECN-22-150900	27APR2022	RK	CSD



- 1 BODY MATERIAL THK 1.219±0.051[.048±.002]
- 2 FOR Ø9.703[Ø.382] MAX WIRE INS.
- △3 STAMP AMP 4\* APPROX AS SHOWN.

100	LOOSE PC	324051
QTY	PACKAGE TYPE	PART NO

AMP INCORPORATED  
CUSTOMER SERVICE SYSTEMS

MAX RECOMMENDED OPERATING TEMPERATURE:

THIS DRAWING IS A CONTROLLED DOCUMENT.

DWN S.S. GOULDEN 6-18-93



FOR ADDITIONAL PRODUCT INFORMATION OR COPIES OF DRAWINGS AND TECHNICAL DOCUMENTS  
PRODUCT INFORMATION CENTER  
1-800-522-6752

VOLTAGE RATING:

DIMENSIONS:  
mm [INCHES]

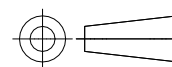
TOLERANCES UNLESS OTHERWISE SPECIFIED:

CHK R. HERSEY 6-18-93

NAME  
B. BARE  
TERMINAL, RING TONGUE, TERMINYL  
WIRE SIZE: 4 AWG

FOR APPLICATION TOOLING INFORMATION  
TOOLING ASSISTANCE CENTER  
1-800-722-1111

CIRCULAR MIL AREA:  
16.8-26.7mm<sup>2</sup> [33,100-52,600] STRANDED



0 PLC ± -  
1 PLC ± -  
2 PLC ± -  
3 PLC ± 0.127[.005]  
4 PLC ± -  
ANGLES ± -

APVD B. BARE 6-18-93

PRODUCT SPEC

APPLICATION SPEC

SIZE CAGE CODE DRAWING NO RESTRICTED TO

FOR ORDER ENTRY  
1-800-526-5142

THIS DRAWING IS A CONTROLLED DOCUMENT FOR AMP INCORPORATED. IT IS SUBJECT TO CHANGE AND THE CONTROLLING ENGINEERING ORGANIZATION SHOULD BE CONTACTED FOR THE LATEST REVISION.

MATERIAL  
BODY: COPPER PER ASTM B-152  
INSULATION: NYLON ASTM D4066 TYPE I

FINISH  
BODY: TIN PLATE PER ASTM B545  
INSULATION: COLOR-YELLOW

WEIGHT -

A3 00779 C-324051

CUSTOMER DRAWING SCALE NTS SHEET 1 OF 1 REV F2