

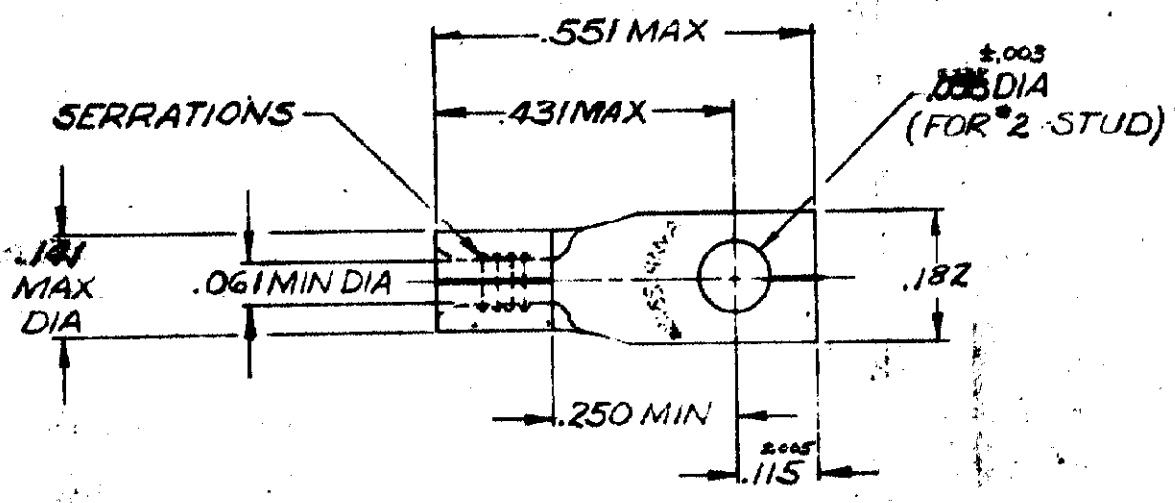
DRAWING MADE IN AMERICAN PROJECTION

G 14

© 1957 BY AMP INCORPORATED. ALL RIGHTS RESERVED. AMP PRODUCTS COVERED BY PATENTS AND/OR PATENTS PENDING.

REVISIONS

LTR	DESCRIPTION	DATE	APPROVED
A	REDRAWN & UPDATED	7-21-69	FGY
B	ADDED TAP NO.	7-21-70	FGY
C	INACTIVATED 2-1 P. 9255	1-27-82	FPZ
D	OBSOLETE 323118 PER G-4352	9-6-88	JT
E	REV PER G-5438	4-2-90	DKS



MARKING 22-18 FOR MILITARY
COMMERCIAL RANGE 22-16

2-118 OBS
PART NO. ON TAPE

UNLESS OTHERWISE SPECIFIED DIMENSIONS ARE IN INCHES
TOLERANCES ON:
DIMENSIONS ±.008
ANGLES ± 5°
MATERIAL: COPPER (99.95%
FINISH: TYP FL. (MIL-STD-202)
HEAT TREAT: UNNEALED

CONTRACT NO. _____
DRG *Am. Engrs* 7-11-69
CHK *FGY* 7-21-69
APPD *L. V. ...* 7-21-69
REL *Am. Engrs* 7-21-69
DSGN APPD _____
OTHER APPD _____

AMP AMP INCORPORATED
HARRISBURG, PENNSYLVANIA

NAME: WIRE TERMINAL
SOLISTRAND-RECTANGULAR TONGUE
WIRE SIZE: 22-16

SIZE	CODE IDENT NO.	NUMBER
A	00779	323118