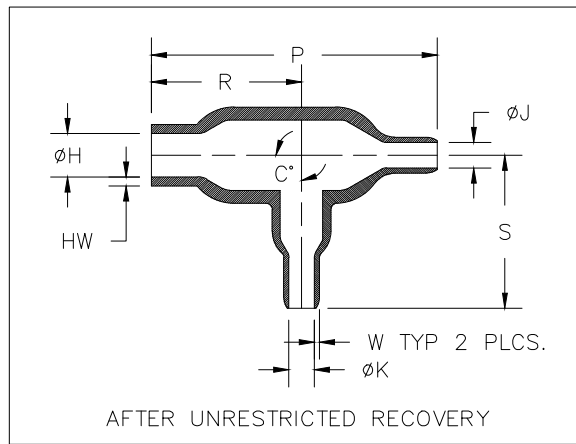
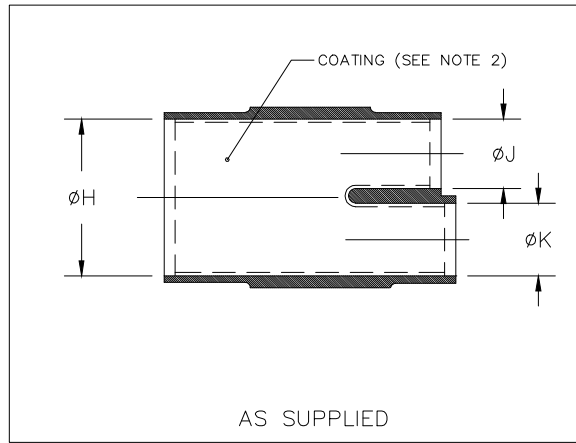


REVISIONS					
P	LTR	DESCRIPTION	DATE	DWN	APVD
B		PRODUCTION ISSUE	30JAN2019	PNT	MT



PART NUMBER	H		J & K		P	R	S	W	HW	C°
	Min	Max	Min	Max	±10%	±10%	±10%	±20%	±20%	±5°
	a	b	a	b	b	b	b	b	b	b
322A514-X-03	30.1 [1.20]	15.2 [.60]	17.8 [.70]	8.9 [.35]	66.8 [2.63]	33.0 [1.30]	38.1 [1.50]	1.27 [.05]	2.29 [.09]	90°

RELEASED FOR PUBLICATION

ALL RIGHTS RESERVED.

THIS DRAWING IS UNPUBLISHED.

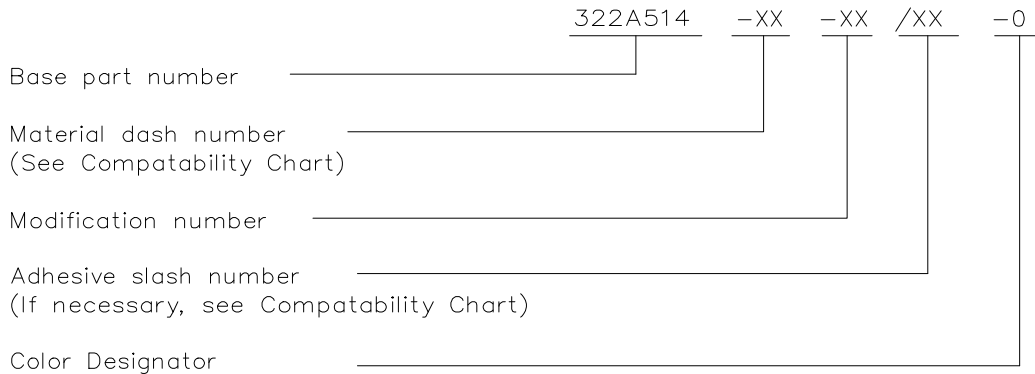
© COPYRIGHT - TE Connectivity Ltd.

DIMENSIONS: mm [INCHES]	DWN	30JAN2019	MATERIAL	SEE SHEET 2	FINISH	-
	CHK	30JAN2019	TE Connectivity Ltd.			
TOLERANCES UNLESS OTHERWISE SPECIFIED:	APVD	30JAN2019				
	PRODUCT SPEC	-	SIZE	CAGE CODE	DRAWING NO	RESTRICTED TO
0 PLC ± -	APPLICATION SPEC	-	A4	00779	C-322A514-XX-03-0	-
1 PLC ± 0.5[.1]	WEIGHT	-	CUSTOMER DRAWING			SCALE
2 PLC ± 0.25[.01]			DNS			SHEET
3 PLC ± 0.13[.005]			1 OF 2			REV
4 PLC ± -			B			
ANGLES ± 1°						

REVISIONS					
P	LTR	DESCRIPTION	DATE	DWN	APVD
	-	SEE SHEET 1	-	-	-

COMPATABILITY CHART				
MATERIAL DASH NO.	MATERIAL DESCRIPTION	RT SPEC	COATING SLASH NO.	COATING S NO.
-25	Elastomer, FluidResistant	RW-2070	/42;/86;/225	S1017;S1048;S1206


ORDERING INFORMATION



NOTES

- Dimensions appearing in table are as follows:
  - a - As Supplied
  - b - After Unrestricted Recovery
- Coating is optional. As supplied dimensions appearing in table are for uncoated parts. When coating is added, entry diameters will be reduced by 1.5mm[.06] max.

THIS DRAWING IS UNPUBLISHED. ALL RIGHTS RESERVED. © COPYRIGHT - TE Connectivity Ltd.

DIMENSIONS: mm [INCHES]	DWN PRAVEEN N T	30JAN2019	MATERIAL	-	FINISH	-
	CHK N NAGAR	30JAN2019	 TE Connectivity Ltd.			
TOLERANCES UNLESS OTHERWISE SPECIFIED:	APVD M TAYLOR	30JAN2019				
0 PLC ± -	PRODUCT SPEC	-	NAME TRANSITION, 90 DEGREES SIDE BREAKOUT, THINWALL			
1 PLC ± 0.5[.1]	APPLICATION SPEC	-	SIZE	CAGE CODE	DRAWING NO	RESTRICTED TO
2 PLC ± 0.25[.01]	WEIGHT	-	A4	00779	322A514-XX-03-0	-
3 PLC ± 0.13[.005]			CUSTOMER DRAWING			
4 PLC ± -			SCALE	DNS	SHEET	2 OF 2
ANGLES ± 1°					REV	B

