

THIS DRAWING IS UNPUBLISHED.

RELEASED FOR PUBLICATION

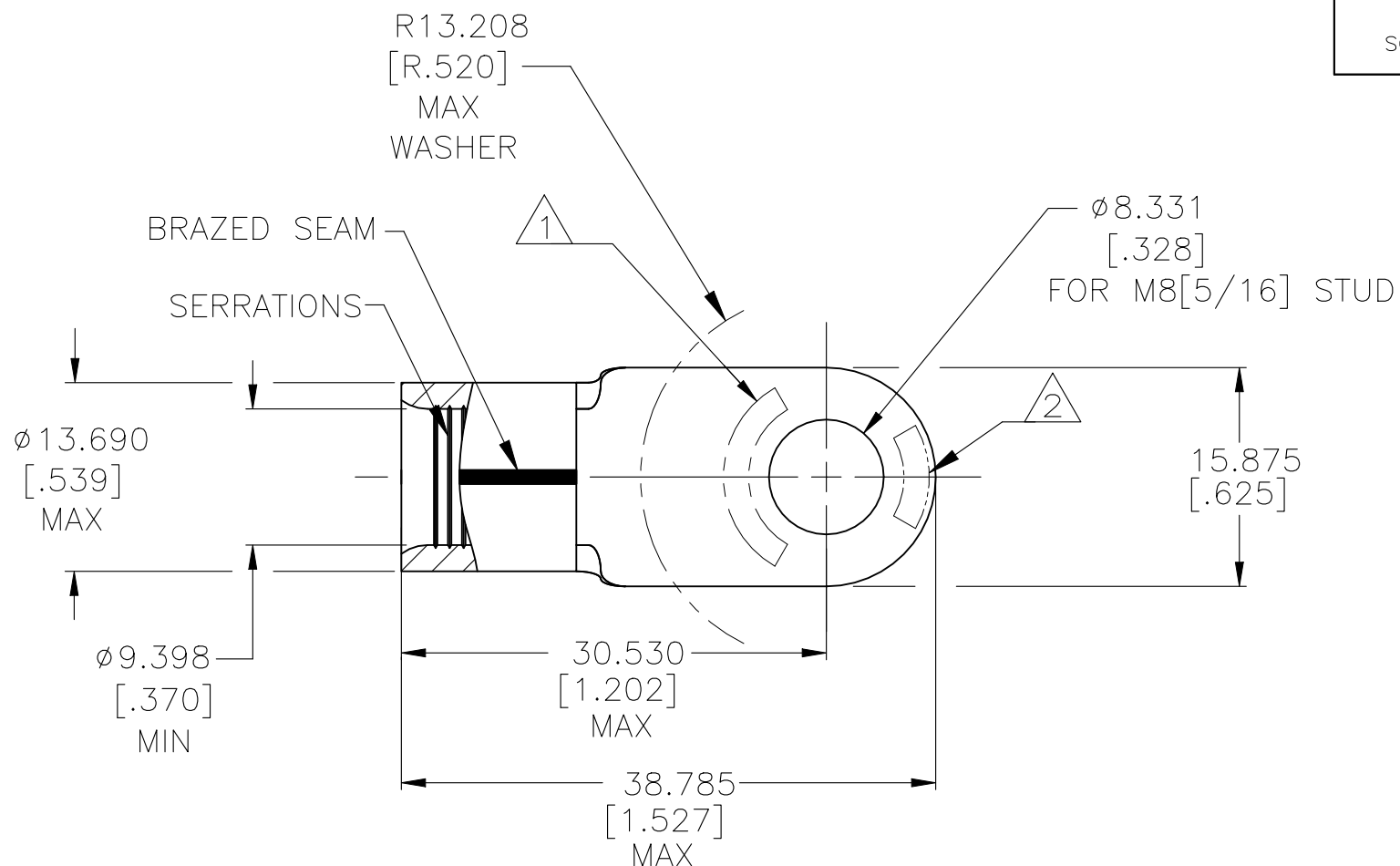
REVISIONS

© COPYRIGHT - By -






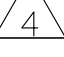
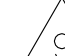
ALL RIGHTS RESERVED.

P	LTR	DESCRIPTION	DATE	DWN	APVD
	J8	REVISED PER ECN-22-150900	27APR2022	RK	CSD

<b>AMP</b> WIRE RANGE	 Listed FILE E13288	 LR7189 Certified
2 AWG SOLID OR STRANDED	2 AWG STRANDED	2 AWG SOLID OR STRANDED



- 1 STAMP AMP 2W\* APPROX AS SHOWN.
- 2 STAMP 60-75 APPROX AS SHOWN.
- 3 MATERIAL THK: 1.778±0.076[.070±.003].
- 4 TIN PL 0.00254[.000100] MIN EXT. THK PER ASTM B545
- 5 NICKEL PL 0.00762[.000300] MIN EXT THK PER SAE AMS QQ-N-290.
- 6 NOTE DELETED
- 7 NOTE DELETED
- 8 NOTE DELETED
- 9 PRODUCT SPECIFICATION: UL 486A-B

25	↑ LOOSE PIECE ↓	170°C[338°F]		1	8-322870-3
50		343°C[650°F]		1	2-322870-2
50		343°C[650°F]		2	322870-3
50		170°C[338°F]		2	322870-1 
50		170°C[338°F]		1	322870 
QTY.	PACKAGE TYPE	MAX TEMP RATING	FINISH	SHEET	PART NO.

AMP INCORPORATED  
CUSTOMER SERVICE SYSTEMS

MAX RECOMMENDED OPERATING TEMPERATURE:  
SEE TABLE

THIS DRAWING IS A CONTROLLED DOCUMENT.

DWN DK SCHRUM 5/25/93



FOR ADDITIONAL PRODUCT INFORMATION OR COPIES OF DRAWINGS AND TECHNICAL DOCUMENTS

PRODUCT INFORMATION CENTER  
1-800-522-6752

VOLTAGE RATING:  
N/A

DIMENSIONS:  
mm[INCHES]

TOLERANCES UNLESS OTHERWISE SPECIFIED:

CHK RD HEIM 1/27/94

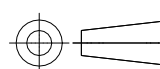
APVD JL MECKLEY 1/27/94

NAME  
TERMINAL, RING TONGUE,  
SOLISTRAND AND STRATO-THERM, WIRE SIZE: 2 AWG

FOR APPLICATION TOOLING INFORMATION

TOOLING ASSISTANCE CENTER  
1-800-722-1111

CIRCULAR MIL AREA:  
26.7-42.4mm² [52,600-83,700]  
SOLID OR STRANDED



0 PLC	± -
1 PLC	± -
2 PLC	± -
3 PLC	± 0.127 [.005]
4 PLC	± -
ANGLES	± -

PRODUCT SPEC

APPLICATION SPEC

SIZE	CAGE CODE	DRAWING NO	RESTRICTED TO
A3	00779	C-322870	-

FOR ORDER ENTRY 1-800-526-5142

MATERIAL  
COPPER ASTM B-152  
ANNEALED

FINISH  
SEE TABLE

WEIGHT -  
CUSTOMER DRAWING

SCALE 2:1 SHEET 1 OF 2 REV J8

THIS DRAWING IS UNPUBLISHED.

RELEASED FOR PUBLICATION

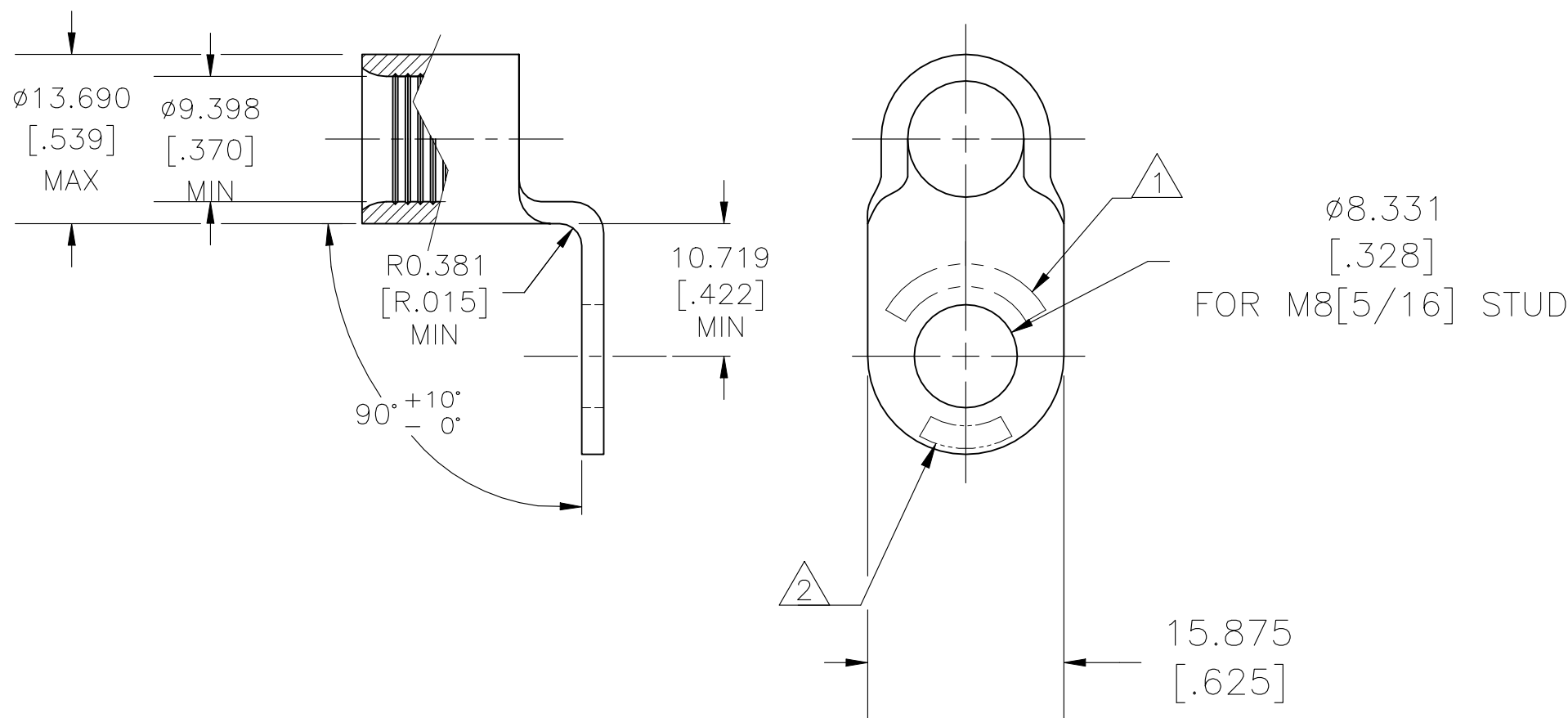
-. -. .

REVISIONS

© COPYRIGHT - By -

ALL RIGHTS RESERVED.

P	LTR	DESCRIPTION	DATE	DWN	APVD
-	-	SEE SHEET 1	-	-	-



FOR P/N 322870-1 & -3 ONLY

AMP INCORPORATED  
CUSTOMER SERVICE SYSTEMS

MAX RECOMMENDED OPERATING TEMPERATURE:  
SEE TABLE

THIS DRAWING IS A CONTROLLED DOCUMENT.

DWN DK SCHRUM 5/25/93



FOR ADDITIONAL PRODUCT INFORMATION OR COPIES OF DRAWINGS AND TECHNICAL DOCUMENTS

PRODUCT INFORMATION CENTER  
1-800-522-6752

VOLTAGE RATING:  
N/A

DIMENSIONS:  
mm[INCHES]

TOLERANCES UNLESS OTHERWISE SPECIFIED:

CHK RD HEIM 1/27/94

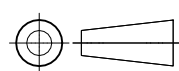
APVD JL MECKLEY 1/27/94

NAME  
TERMINAL, RING TONGUE,  
SOLISTRAND AND STRATO-THERM, WIRE SIZE: 2 AWG

FOR APPLICATION TOOLING INFORMATION

TOOLING ASSISTANCE CENTER  
1-800-722-1111

CIRCULAR MIL AREA:  
26.7-42.4mm<sup>2</sup> [52,600-83,700]  
SOLID OR STRANDED



- 0 PLC ± -
- 1 PLC ± -
- 2 PLC ± -
- 3 PLC ± 0.127 [.005]
- 4 PLC ± -
- ANGLES ± -

PRODUCT SPEC

APPLICATION SPEC

SIZE	CAGE CODE	DRAWING NO	RESTRICTED TO
A3	00779	C-322870	-

FOR ORDER ENTRY 1-800-526-5142

MATERIAL  
COPPER ASTM B-152  
ANNEALED

FINISH  
SEE TABLE

WEIGHT  
CUSTOMER DRAWING

SCALE 2:1 SHEET 2 OF 2 REV J8