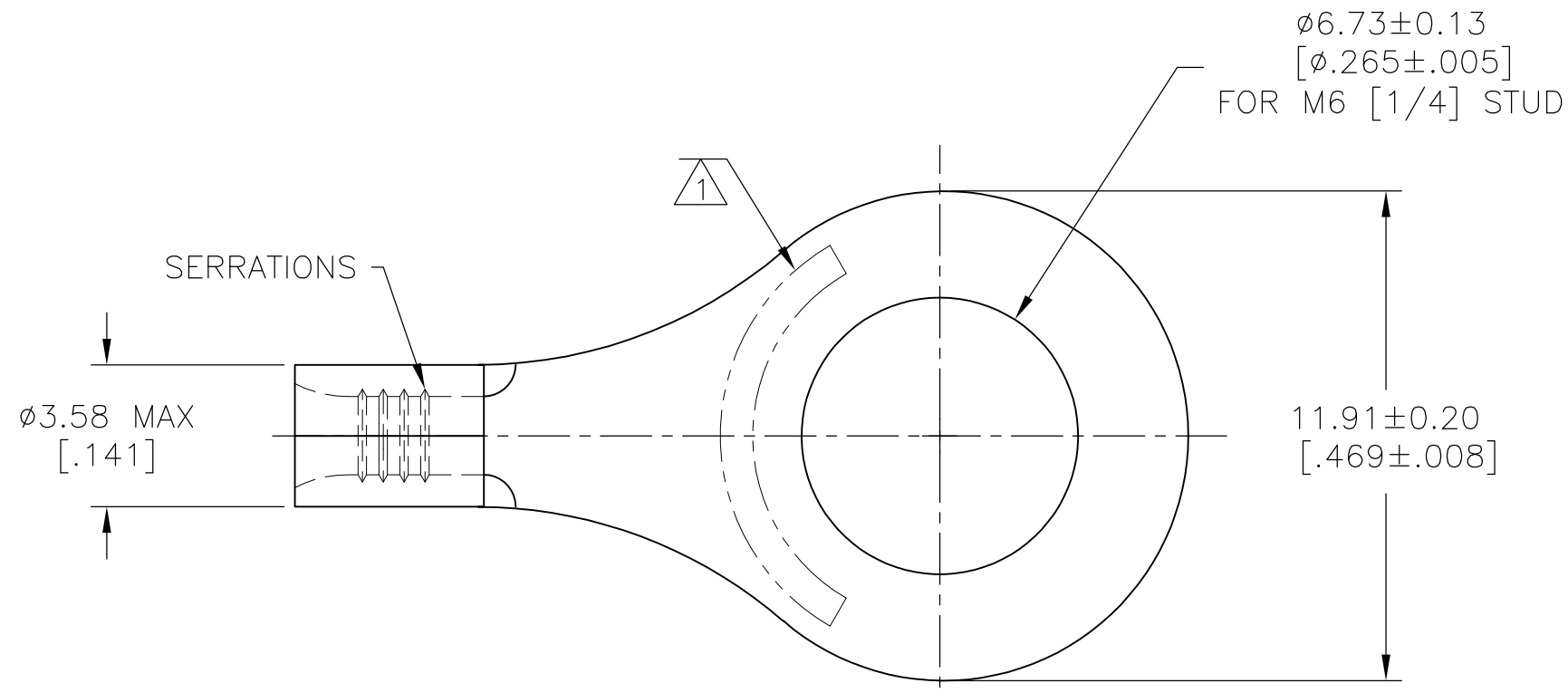


THIS DRAWING IS UNPUBLISHED. RELEASED FOR PUBLICATION
 © COPYRIGHT - By - ALL RIGHTS RESERVED.

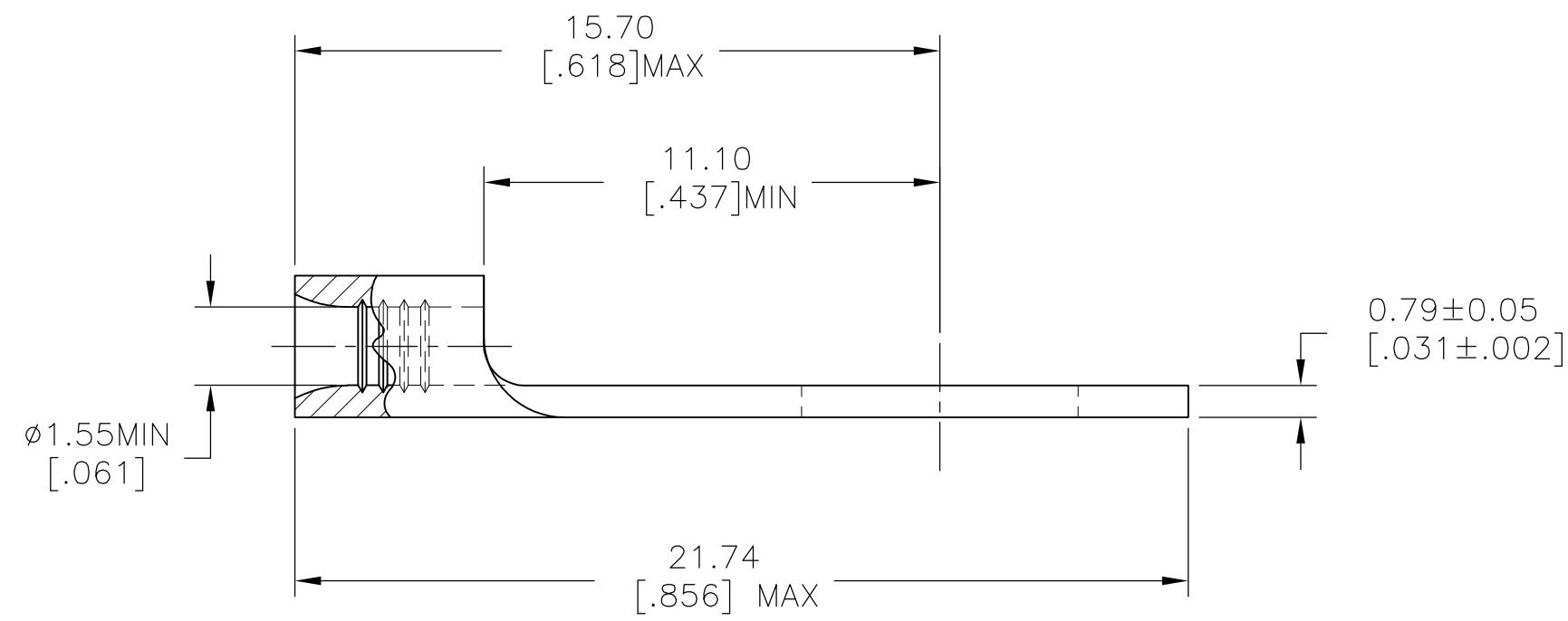
LOC	DIST	REVISIONS					
G	14	P	LTR	DESCRIPTION	DATE	DWN	APVD
		F		REDRAWN PER ECO-13-007344	30APR13	KH	DR

AMP
WIRE RANGE

22-16 AWG
SOLID OR STRANDED



- 1** STAMP AMP 12-18* APPROX AS SHOWN
22-16 TERMINALS ARE STAMPED 22-18 IN ACCORDANCE WITH MILITARY SPECIFICATION
SAE AS 7928 COMMERCIAL WIRE RANGE IS 22-16
- 2** MATERIAL: COPPER PER ASTM B152, ANNEALED
- 3** FINISH: NICKEL PLATE 0.0076[.00030] MIN
EXT THK PER SAE AMS QQ-N-290



1000	LOOSE PIECE	2-322800-1
QTY	PACKAGE TYPE	PART NUMBER

AMP INCORPORATED CUSTOMER SERVICE SYSTEMS		MAX RECOMMENDED OPERATING TEMPERATURE: 343°C [650°F]	THIS DRAWING IS A CONTROLLED DOCUMENT.		DWN KIRAN HOLAL 30APR2013	STE TE Connectivity				
FOR ADDITIONAL PRODUCT INFORMATION OR COPIES OF DRAWINGS AND TECHNICAL DOCUMENTS	PRODUCT INFORMATION CENTER 1-800-522-6752	VOLTAGE RATING: N/A	DIMENSIONS: mm [INCHES]	TOLERANCES UNLESS OTHERWISE SPECIFIED:	CHK ROHDE DANIEL 30APR2013				NAME TERMINAL, RING TONGUE, HEAT RESISTANT, STRATO-THERM	
FOR APPLICATION TOOLING INFORMATION	TOOLING ASSISTANCE CENTER 1-800-722-1111	WIRE: 0.26-1.65mm ² [509-3,260] CIR MILS SOLID OR STRANDED		0 PLC ± - 1 PLC ± - 2 PLC ± - 3 PLC ± - 4 PLC ± - ANGLES ± -	APVD ROHDE DANIEL 30APR2013	PRODUCT SPEC	SIZE	CAGE CODE	DRAWING NO	RESTRICTED TO
FOR ORDER ENTRY	1-800-526-5142	THIS DRAWING IS A CONTROLLED DOCUMENT FOR AMP INCORPORATED. IT IS SUBJECT TO CHANGE AND THE CONTROLLING ENGINEERING ORGANIZATION SHOULD BE CONTACTED FOR THE LATEST REVISION.	MATERIAL 2	FINISH 3	—	APPLICATION SPEC	A3	00779	G-322800	—
					CUSTOMER DRAWING		SCALE	SHEET	REV	
							6:1	1 OF 1	F	