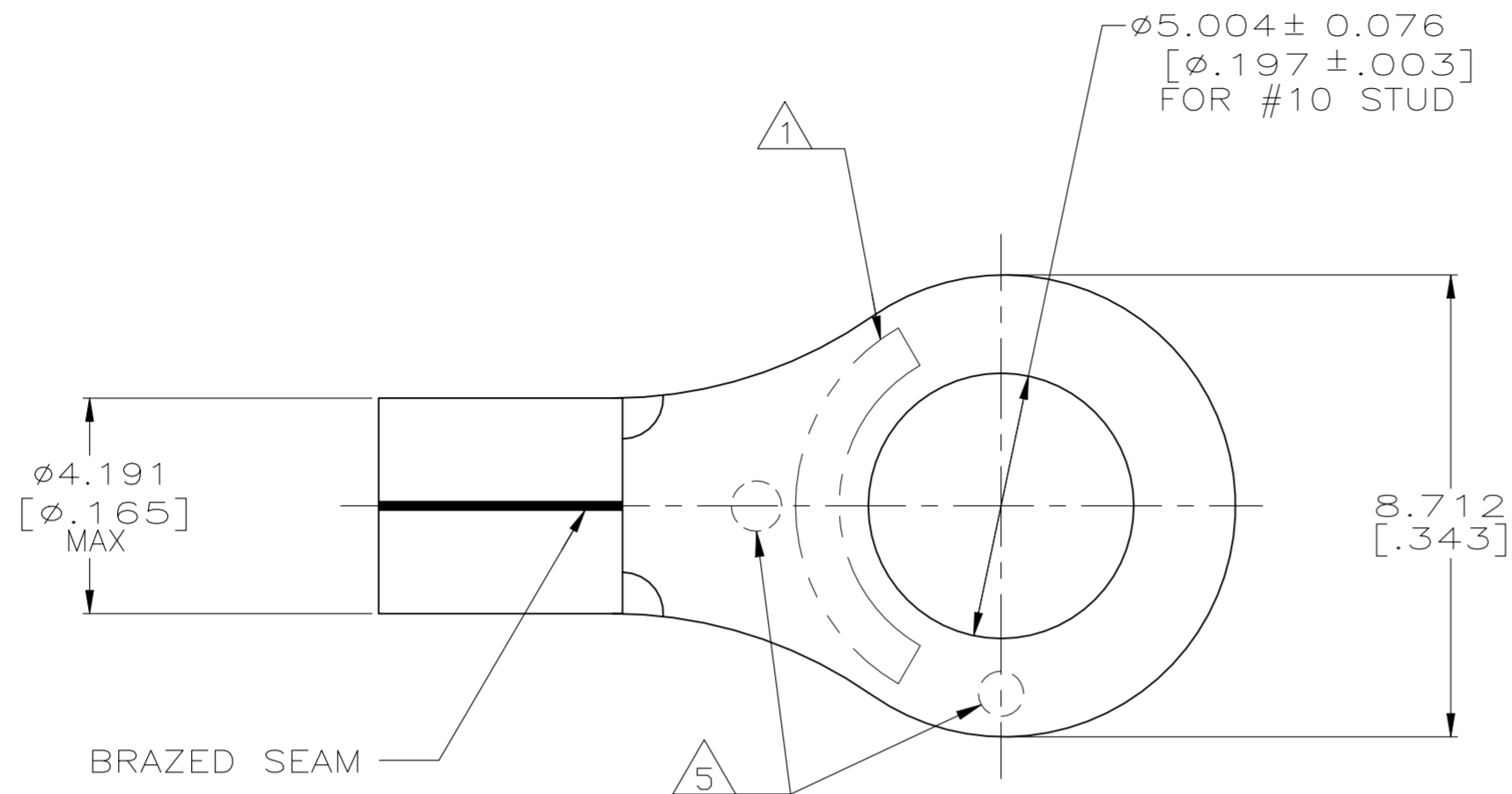
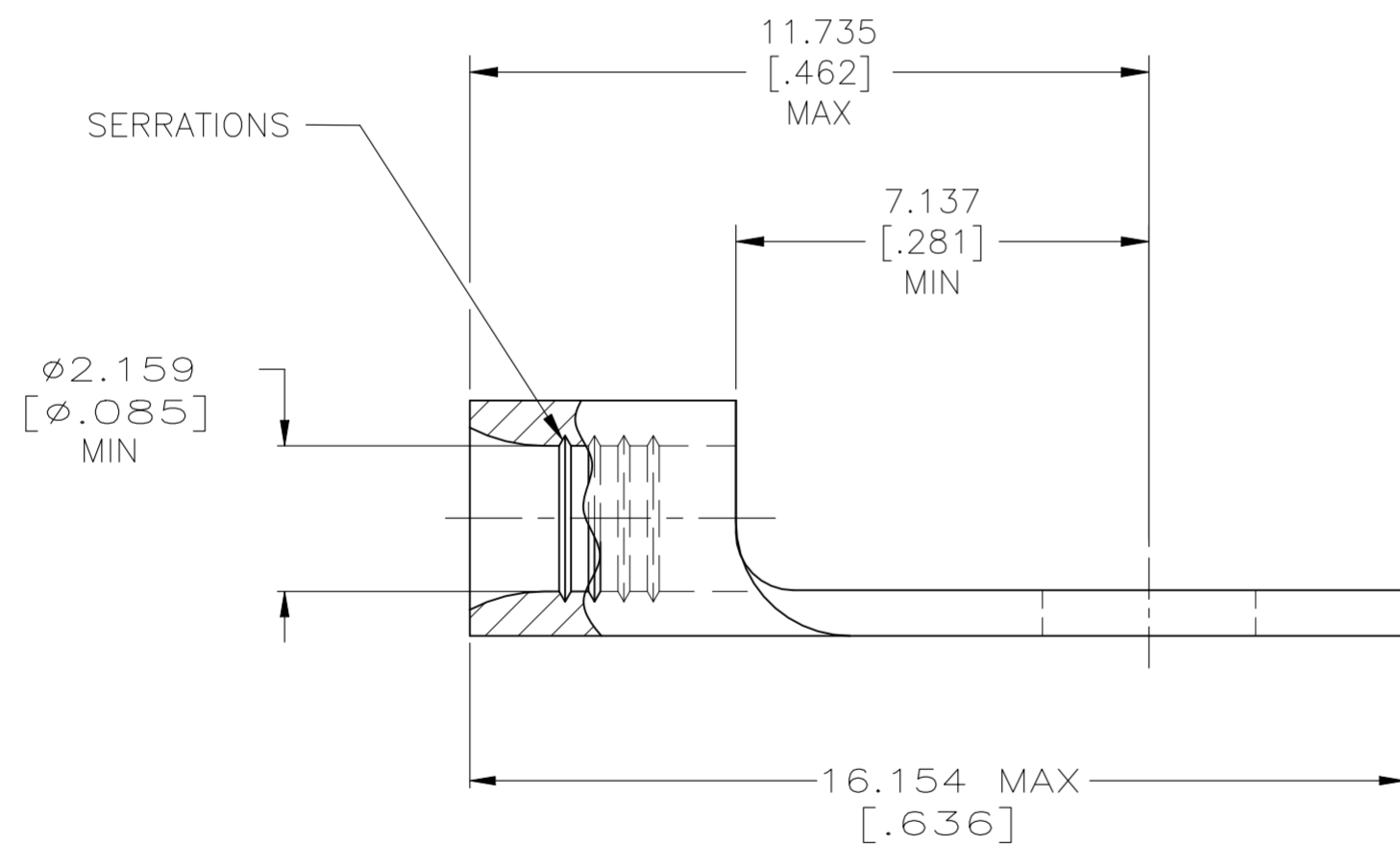


REVISIONS					
P	LTR	DESCRIPTION	DATE	DWN	APVD
E		REVISED PER ECR-23-181664	07AUG2023	AP	DSC



<b>AMP</b> WIRE RANGE	E13288 Listed
16-14 AWG SOLID OR STRANDED	NOT APPLICABLE
LR7189 Certified	MILITARY P/N AND CLASS
NOT APPLICABLE	NOT APPLICABLE



- ① STAMP AMP 16-14\* APPROX AS SHOWN
- ② MATERIAL: COPPER PER ASTM B152, ANNEALED
- ③ FINISH: NICKEL PLATE 0.00762[.000300]  
MIN EXT THK PER SAE AMS-QQ-N-290
- 4 BODY MATERIAL THK: 0.787±0.051[.031±.002]
- ⑤ DIMPLE STAMP MARK OPTIONAL

5000	ON TAPE	2-322695-2
1000	LOOSE PIECE	322695
QUANTITY	PACKAGING TYPE	PART NO

AMP INCORPORATED CUSTOMER SERVICE SYSTEMS		MAX RECOMMENDED OPERATING TEMPERATURE: 343° C [650° F]	THIS DRAWING IS A CONTROLLED DOCUMENT.		DWN TA BRINKMAN 4-19-93	TE Connectivity	
FOR ADDITIONAL PRODUCT INFORMATION OR COPIES OF DRAWINGS AND TECHNICAL DOCUMENTS	PRODUCT INFORMATION CENTER 1-800-522-6752	VOLTAGE RATING: NOT APPLICABLE	DIMENSIONS: mm [INCHES]	TOLERANCES UNLESS OTHERWISE SPECIFIED:	CHK DA PATTERSON 4-19-93	NAME	
FOR APPLICATION TOOLING INFORMATION	TOOLING ASSISTANCE CENTER 1-800-722-1111	WIRE CROSS SECTIONAL AREA RANGE: 1.04-2.62mm <sup>2</sup> [2050-5180] CIR MILS SOLID OR STRANDED		0 PLC ± - 1 PLC ± - 2 PLC ± - 3 PLC ± 0.127[.005] 4 PLC ± - ± -	APVD DE MILLER/JL MECKLEY 4-19-93	TERMINAL, RING TONGUE, HEAT RESISTANT, STRATO-THERM™, WIRE SIZE: 16-14 AWG	
FOR ORDER ENTRY	1-800-526-5142	THIS DRAWING IS A CONTROLLED DOCUMENT FOR AMP INCORPORATED. IT IS SUBJECT TO CHANGE AND THE CONTROLLING ENGINEERING ORGANIZATION SHOULD BE CONTACTED FOR THE LATEST REVISION.	MATERIAL ②	FINISH ③	PRODUCT SPEC -	SIZE A2	CAGE CODE 00779
					APPLICATION SPEC -	DRAWING NO C-322695	RESTRICTED TO -
					WEIGHT -	SCALE 8:1	SHEET 1 of 1
					CUSTOMER DRAWING	REV E	