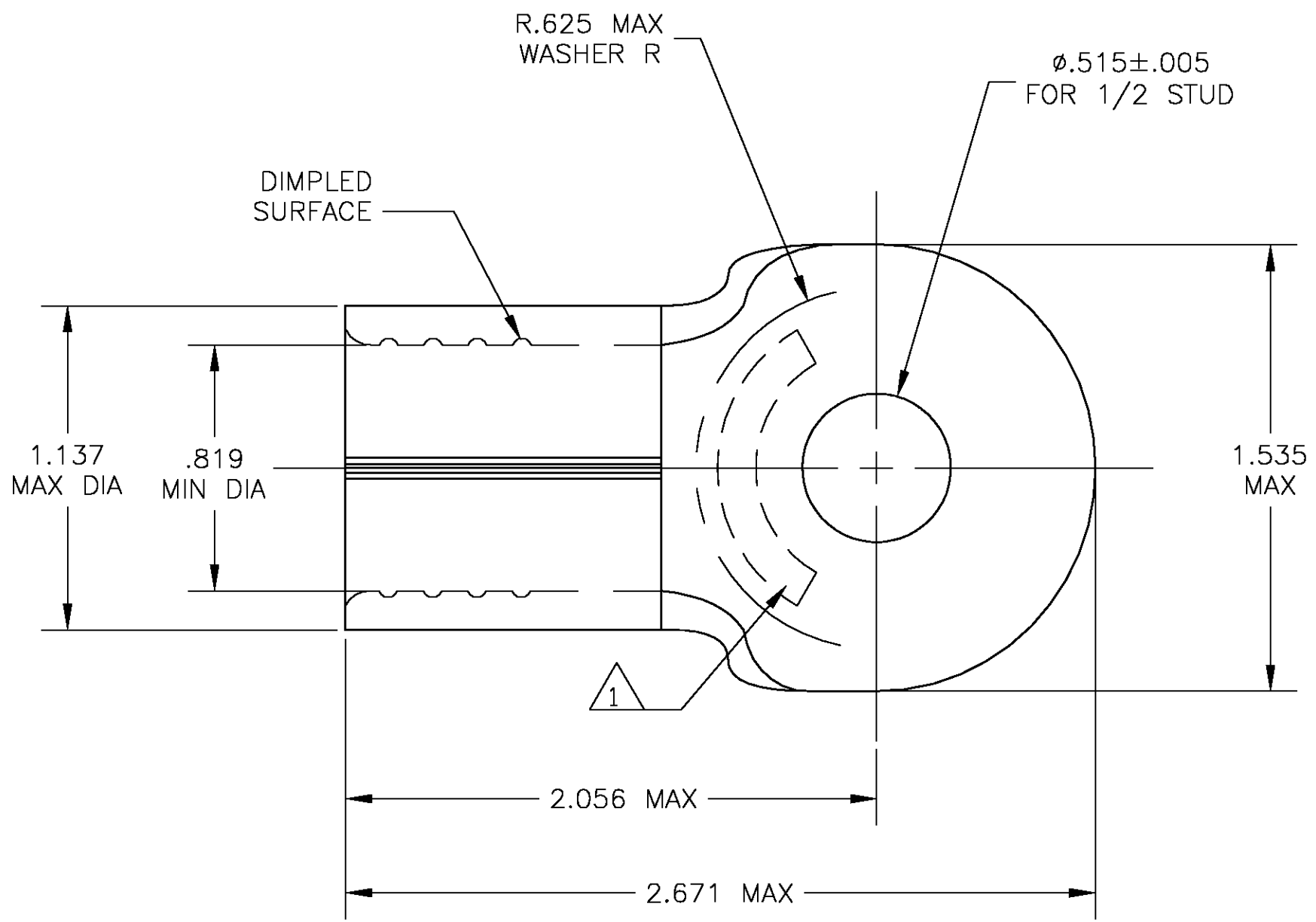


THIS DRAWING IS UNPUBLISHED. RELEASED FOR PUBLICATION
 © COPYRIGHT BY TYCO ELECTRONICS CORPORATION. ALL RIGHTS RESERVED.

LOC	DIST	REVISIONS					
		P	LTR	DESCRIPTION	DATE	DWN	APVD
G	14		E	REDRAWN PER 0G3A-0709-03	07NOV03	JR	MS



- 1 STAMP "AMP 300-350 MCM" APPROX AS SHOWN ON BOTTOM
- 2 COPPER, .136±.004 THK, PER ASTM B-152, ANNEALED
- 3 TIN PLATE PER ASTM B-545

1-322255-4
 PART NO

THIS DRAWING IS A CONTROLLED DOCUMENT.		DWN jr_ruth	07NOV03	Tyco Electronics Corporation Harrisburg, PA 17105	
DIMENSIONS: INCHES		CHK MJ SPICER	07NOV03		
		APVD MJ SPICER	07NOV03	NAME	
TOLERANCES UNLESS OTHERWISE SPECIFIED:		PRODUCT SPEC		WIRE TERMINAL	
0 PLC ± -	1 PLC ± -	APPLICATION SPEC		SOLISTRAND, RING TONGUE,	
2 PLC ± -	3 PLC ± .008	WEIGHT		WIRE SIZE: 300-350 MCM	
4 PLC ± -	ANGLES ± 5'	CUSTOMER DRAWING		SIZE	CAGE CODE
MATERIAL	FINISH	SCALE 2:1		DRAWING NO	RESTRICTED TO
- 2	- 3	SHEET 1 OF 1		A3 00779	REV E
		SCALE 2:1		C-322255	