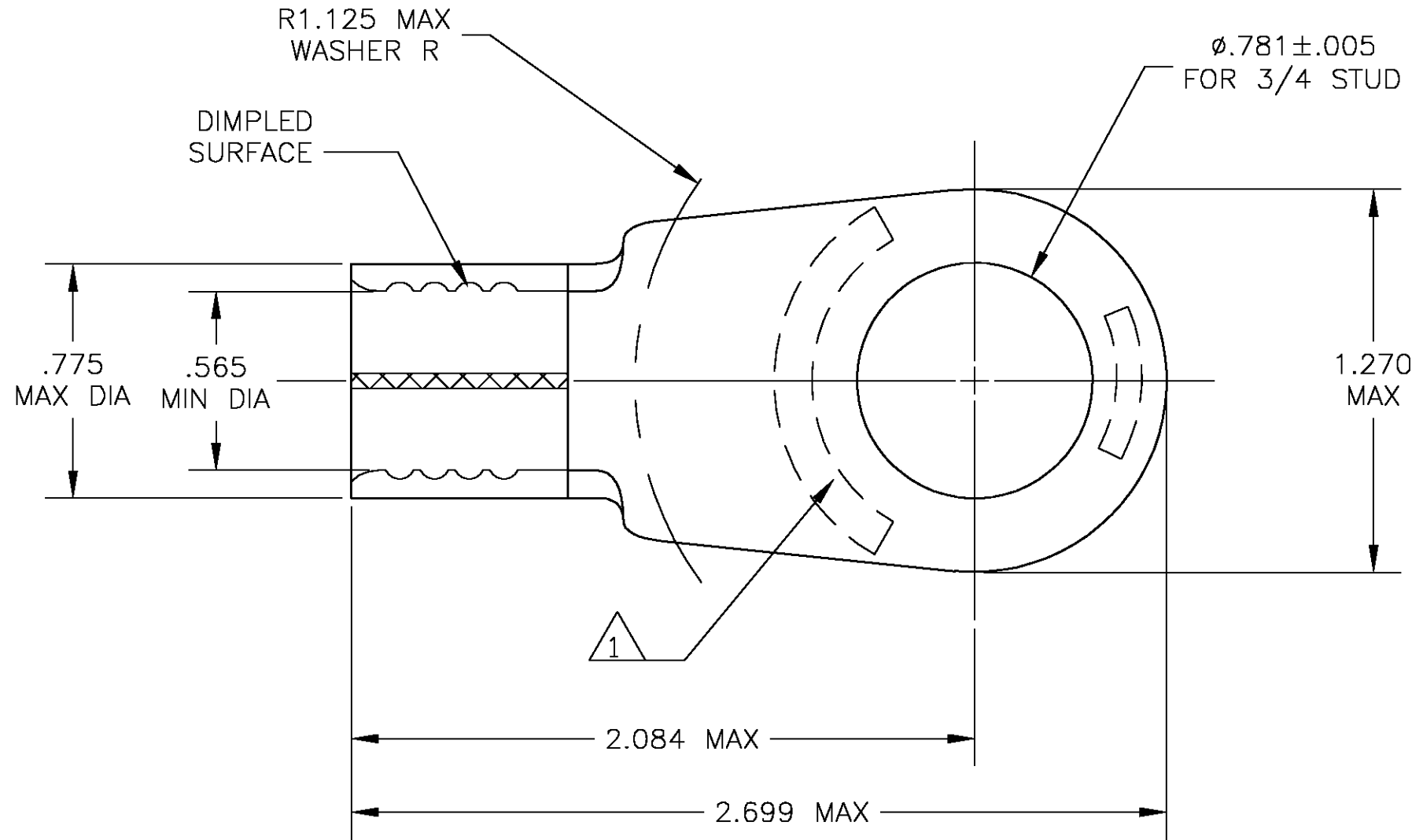


THIS DRAWING IS UNPUBLISHED. RELEASED FOR PUBLICATION
 © COPYRIGHT BY TYCO ELECTRONICS CORPORATION. ALL RIGHTS RESERVED.

LOC	DIST	REVISIONS			
P	LTR	DESCRIPTION	DATE	DWN	APVD
G	14				
	D	REDRAWN PER 0G3A-0709-03	07NOV03	JR	MS

- 1 STAMP "AMP 3/0 W *, 150"
APPROX AS SHOWN ON BOTTOM
- 2 COPPER, .091±.003 THK, PER
ASTM B-152, ANNEALED
- 3 TIN PLATE PER ASTM B-545



322223-0
PART NO

THIS DRAWING IS A CONTROLLED DOCUMENT.		DWN jr_ruth 07NOV03	Tyco Electronics Corporation Harrisburg, PA 17105	
DIMENSIONS: INCHES		CHK MJ SPICER 07NOV03		
		APVD MJ SPICER 07NOV03	NAME	
TOLERANCES UNLESS OTHERWISE SPECIFIED:		PRODUCT SPEC	WIRE TERMINAL SOLISTRAND, RING TONGUE, WIRE SIZE: 3/0	
0 PLC ± -		APPLICATION SPEC	SIZE	CAGE CODE
1 PLC ± -		WEIGHT	A3	00779
2 PLC ± -		CUSTOMER DRAWING	DRAWING NO C-322223	
3 PLC ± .008		SCALE	2:1	SHEET 1 OF 1
4 PLC ± -		RESTRICTED TO	REV D	
ANGLES ± 5'				
FINISH				
- 2				
- 3				