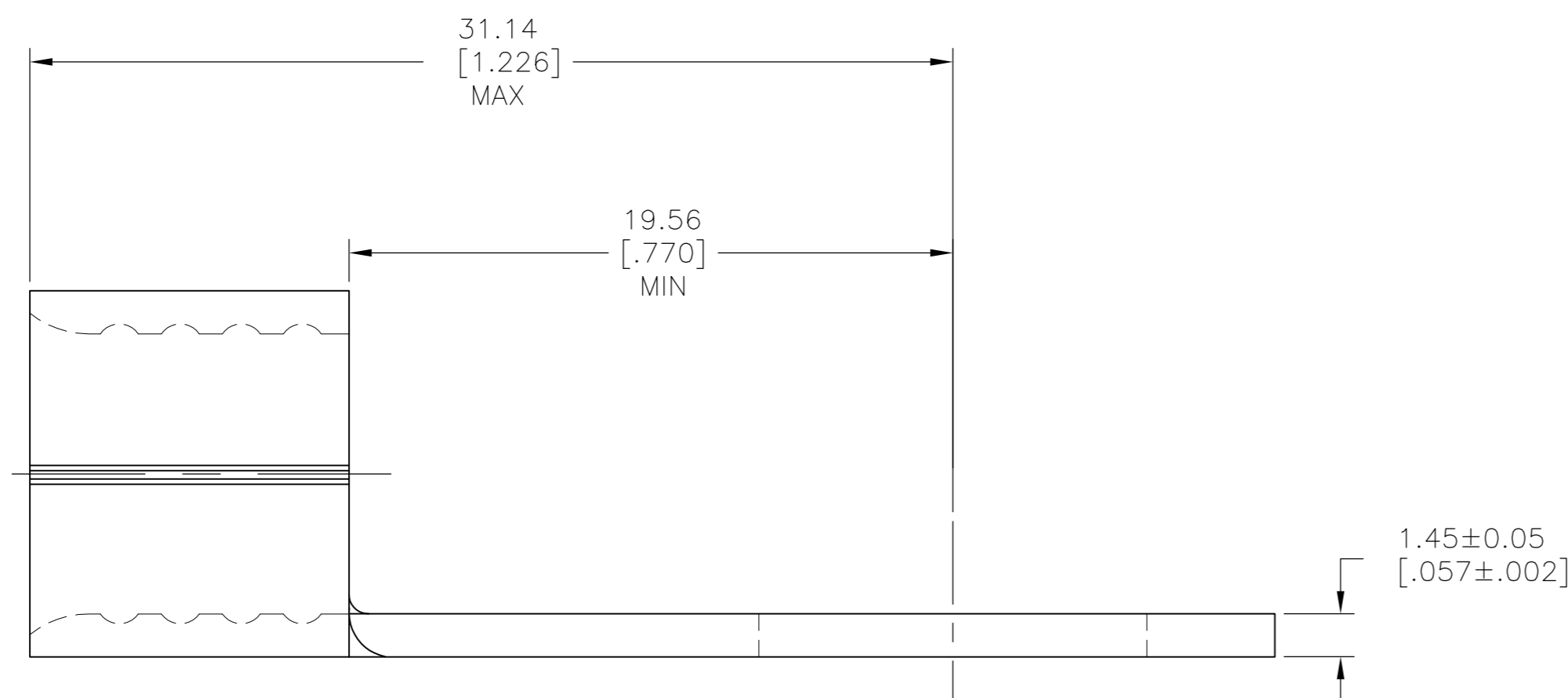
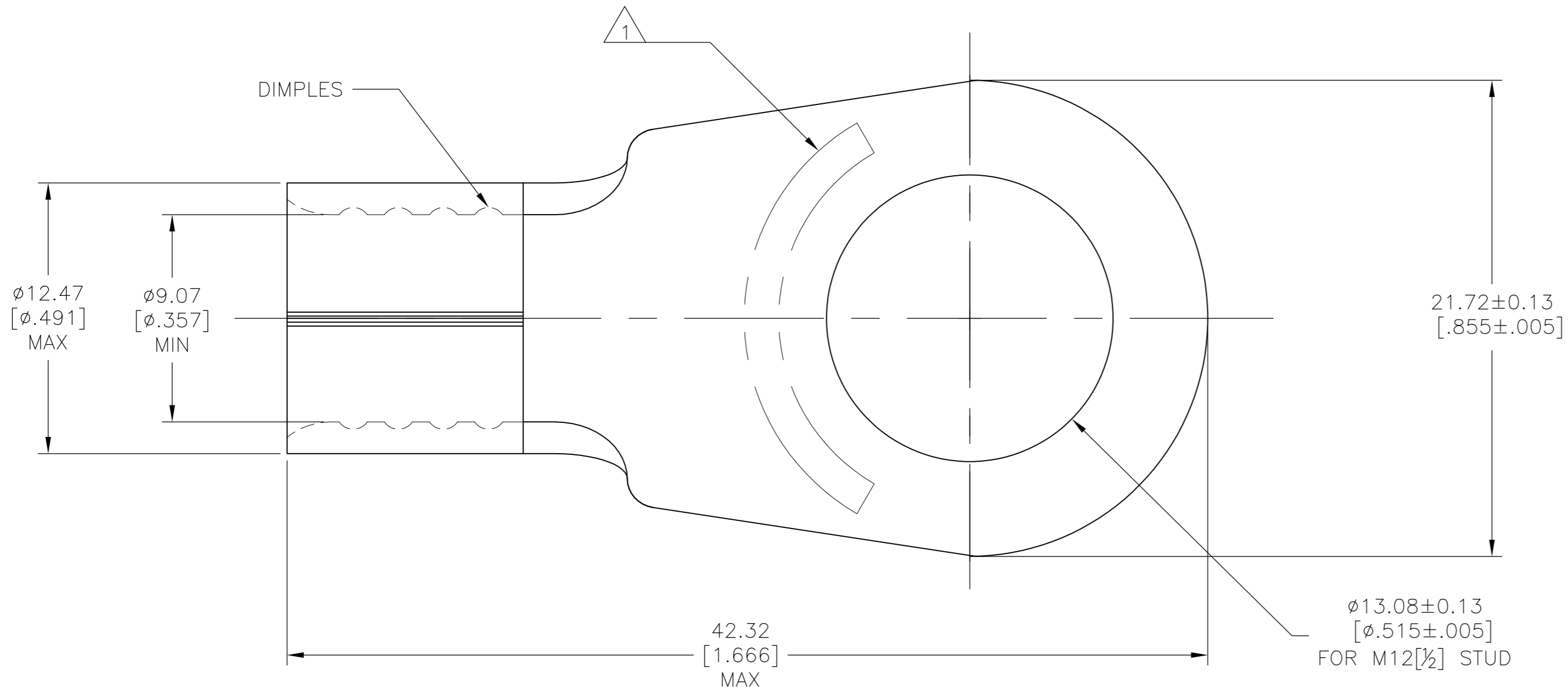


THIS DRAWING IS UNPUBLISHED. RELEASED FOR PUBLICATION
 © COPYRIGHT - By - ALL RIGHTS RESERVED.

LOC	DIST	REVISIONS					
		P	LTR	DESCRIPTION	DATE	DWN	APVD
G	05	A		NEW DRAWING PER ECO-12-006291	02APR12	KH	DR

- 1 STAMP AMP 2* APPROXIMATELY AS SHOWN
- 2 MATERIAL:
BODY: COPPER PER ASTM B152
- 3 FINISH: TIN PLATE PER ASTM B545



50	LOOSE PIECE	322046
QTY	PACKAGE TYPE	PART NUMBER

AMP INCORPORATED CUSTOMER SERVICE SYSTEMS		MAX RECOMMENDED OPERATING TEMPERATURE: 170°C[338°F]
FOR ADDITIONAL PRODUCT INFORMATION OR COPIES OF DRAWINGS AND TECHNICAL DOCUMENTS	PRODUCT INFORMATION CENTER 1-800-522-6752	VOLTAGE RATING: N/A
FOR APPLICATION TOOLING INFORMATION	TOOLING ASSISTANCE CENTER 1-800-722-1111	CIRCULAR MIL AREA: 26.7-42.4mm ² [52,600-83,700] STRANDED
FOR ORDER ENTRY	1-800-526-5142	THIS DRAWING IS A CONTROLLED DOCUMENT FOR AMP INCORPORATED. IT IS SUBJECT TO CHANGE AND THE CONTROLLING ENGINEERING ORGANIZATION SHOULD BE CONTACTED FOR THE LATEST REVISION.

THIS DRAWING IS A CONTROLLED DOCUMENT.		DWN KIRAN HOLAL 02APR12	TE TE Connectivity	
DIMENSIONS: mm [INCHES]		CHK ROHDE DANIEL 02APR12		
TOLERANCES UNLESS OTHERWISE SPECIFIED:		APVD ROHDE DANIEL 02APR12	NAME TERMINAL SOLISTRAND - RING TONGUE, 2 AWG	
0 PLC ± - 1 PLC ± - 2 PLC ± - 3 PLC ± - 4 PLC ± - ANGLES ± -		PRODUCT SPEC -	SIZE A2	
MATERIAL 2		FINISH 3	CAGE CODE 00779	DRAWING NO C=322046
CUSTOMER DRAWING		WEIGHT -	RESTRICTED TO -	SCALE 5:1
			SHEET 1 of 1	REV A