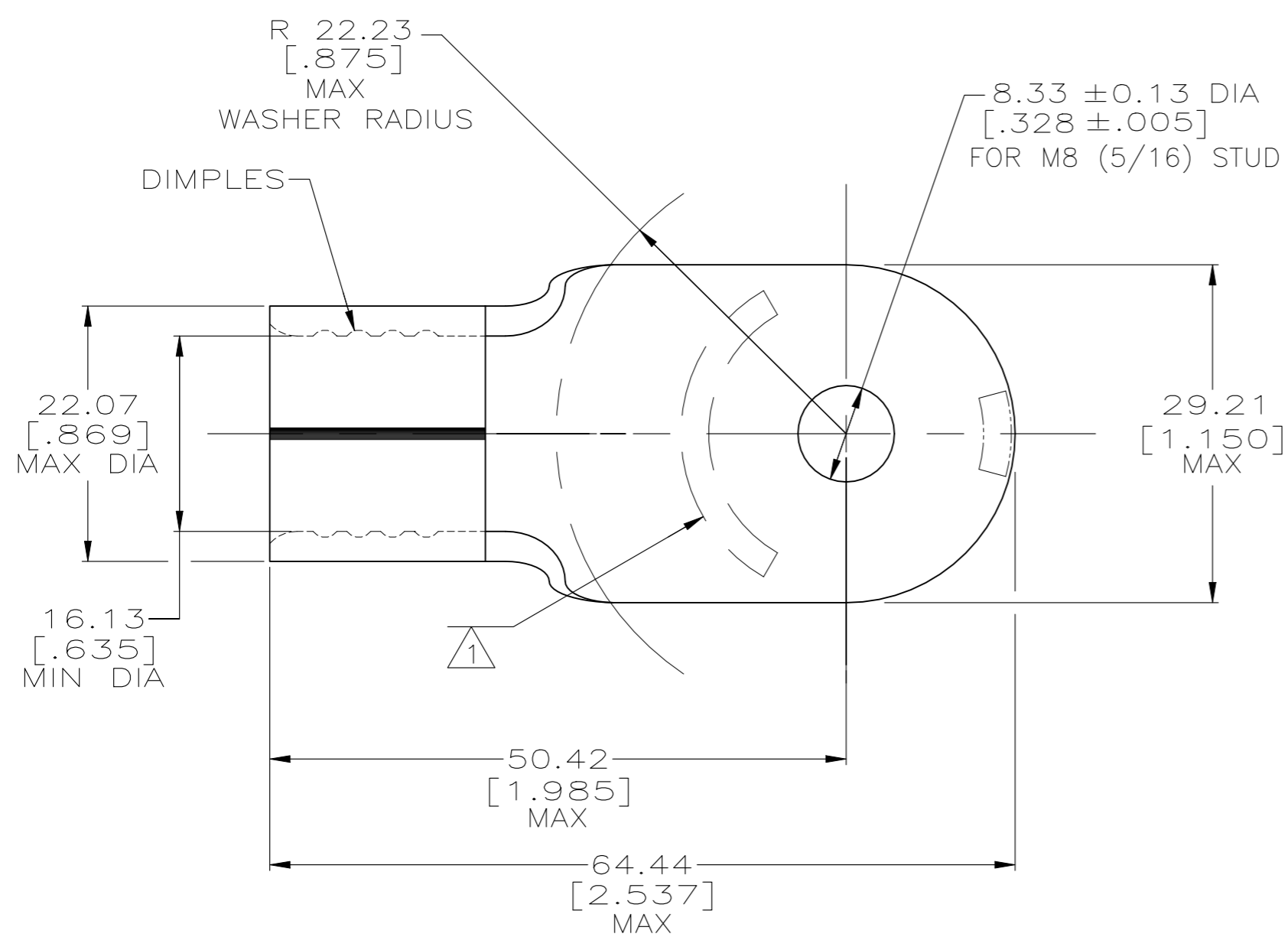


REVISIONS				
P	LTR	DESCRIPTION	DATE	APVD
D5		REVISED PER ECN-22-150900	27APR2022	RK CSD



AMP WIRE RANGE	Listed FILE E13288	LR7189 Certified
4/0 AWG SOLID OR STRANDED	4/0 AWG SOLID OR STRANDED	4/0 AWG SOLID OR STRANDED

- 1 STAMP AMP 4/0W* 200 APPROX AS SHOWN
- 2 MATERIAL THK: 2.59±0.08 [.102±.003]
- 3 COPPER PER ASTM B-152, ANNEALED
- 4 TIN PLATE 0.00254 [.000100] MIN EXT THK PER ASTM B545
- 5 NOTE DELETED
- 6 NICKEL PLATE 0.00762[.000300] MIN EXT THK PER SAE AMS QQ-N-290
- 7 PART IS NOT UL LISTED OR CSA CERTIFIED

		343°C [650°F]	321271-1
		170°C [338°F]	321271
		RECOMMENDED OPERATING TEMP.	PART NUMBER

CUSTOMER SERVICE SYSTEMS

FOR ADDITIONAL PRODUCT INFORMATION OR COPIES OF DRAWINGS AND TECHNICAL DOCUMENTS	PRODUCT INFORMATION CENTER 1-800-522-6752	RECOMMENDED OPERATING TEMPERATURE: SEE TABLE
FOR APPLICATION TOOLING INFORMATION	TOOLING ASSISTANCE CENTER 1-800-722-1111	VOLTAGE RATING: NOT APPLICABLE
FOR ORDER ENTRY	1-800-526-5142	WIRE CROSS SECTIONAL AREA RANGE: 96.3-117.0mm ² [190,000-231,100] CIR MILS STRANDED

THIS DRAWING IS A CONTROLLED DOCUMENT.	
DIMENSIONS: mm [INCHES]	TOLERANCES UNLESS OTHERWISE SPECIFIED:
	0 PLC ± -
	1 PLC ± -
	2 PLC ± 0.20[.008]
	3 PLC ± -
	4 PLC ± -
	ANGLES ± -
MATERIAL	FINISH
	SEE TABLE

DWN DK SCHRUM 15MAY96	TE Connectivity		
CHK DM SWARTZ 01JUL96	NAME TERMINAL, RING TONGUE, SOLISTRAND		
APVD JL MECKLEY 01JUL96	SIZE A3	CAGE CODE 00779	DRAWING NO C-321271
PRODUCT SPEC -	RESTRICTED TO -		SCALE 2:1
APPLICATION SPEC -	SHEET 1 OF 1		REV D5
WEIGHT -	CUSTOMER DRAWING		