

THIS DRAWING IS UNPUBLISHED.

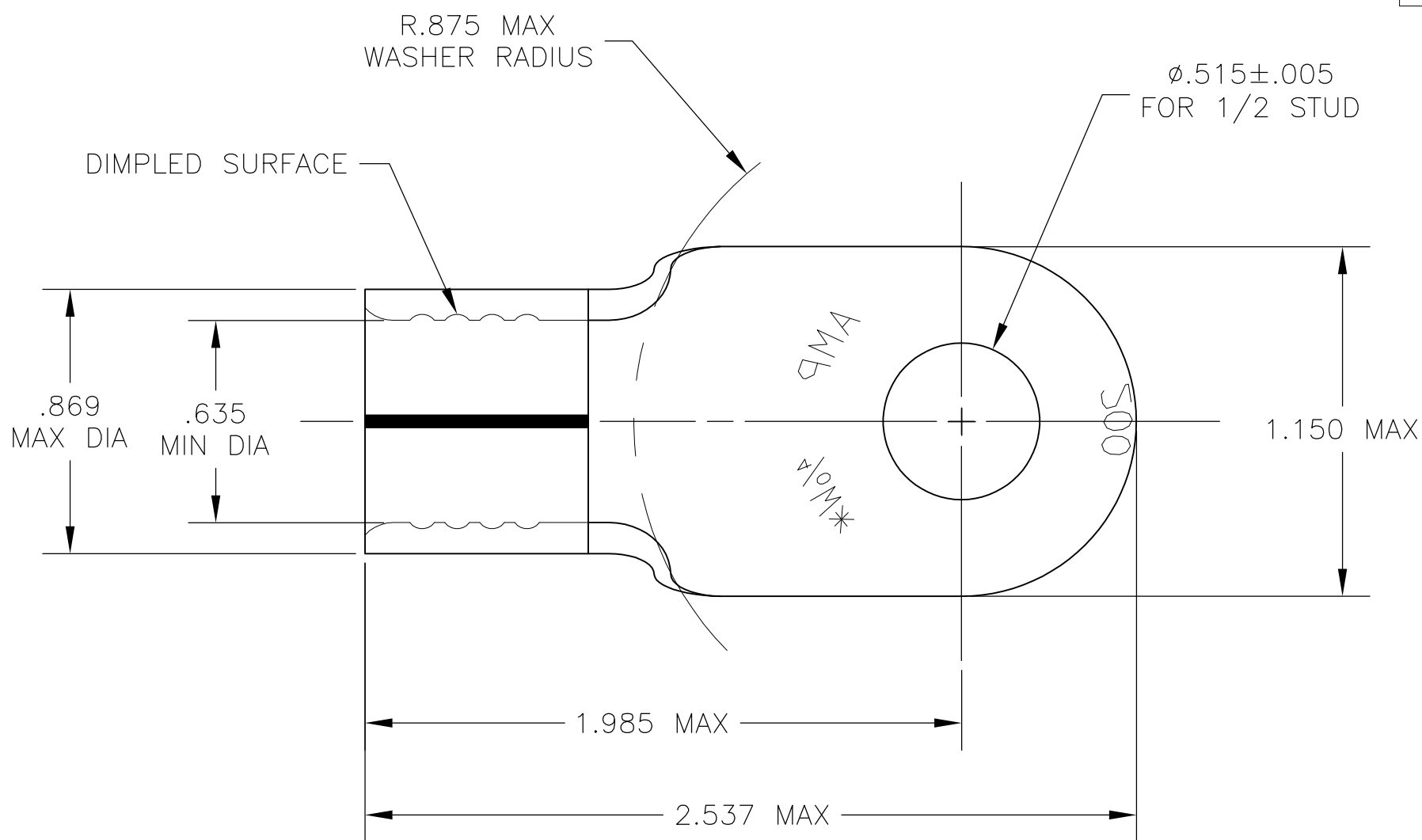
RELEASED FOR PUBLICATION

ALL RIGHTS RESERVED.

© COPYRIGHT - By -

REVISIONS


P	LTR	DESCRIPTION	DATE	DWN	APVD
	C	REDRAWN PER 0G3A-0739-03	17NOV03	JR	MS
	C1	REVISED PER ECR-16-018115	03JAN2017	RS	DR



- 1 .102 ± 0.003 THK COPPER PER ASTM B-152.
- 2 TIN PLATE PER ASTM B-545, ANNEALED.

321163

PART NO

THIS DRAWING IS A CONTROLLED DOCUMENT.		DWN JR RUTH 17NOV03	 TE Connectivity														
DIMENSIONS: INCHES		CHK MJ SPICER 17NOV03															
TOLERANCES UNLESS OTHERWISE SPECIFIED:		APVD MJ SPICER 17NOV03	NAME WIRE TERMINAL, SOLISTRAND RING TONGUE, WIRE SIZE: 4/0														
<table border="0"> <tr> <td>0 PLC</td><td>± -</td> </tr> <tr> <td>1 PLC</td><td>± -</td> </tr> <tr> <td>2 PLC</td><td>± -</td> </tr> <tr> <td>3 PLC</td><td>± .008</td> </tr> <tr> <td>4 PLC</td><td>± -</td> </tr> <tr> <td>ANGLES</td><td>± 1°</td> </tr> </table>		0 PLC	± -	1 PLC	± -	2 PLC	± -	3 PLC	± .008	4 PLC	± -	ANGLES	± 1°	PRODUCT SPEC -	RESTRICTED TO -		
0 PLC	± -																
1 PLC	± -																
2 PLC	± -																
3 PLC	± .008																
4 PLC	± -																
ANGLES	± 1°																
MATERIAL		APPLICATION SPEC -	SIZE A3	CAGE CODE 00779	DRAWING NO C-321163												
FINISH		WEIGHT -	SCALE 2:1														
<div style="display: flex; justify-content: space-around;"> 1 2 </div>		CUSTOMER DRAWING		SHEET 1 OF 1	REV C1												