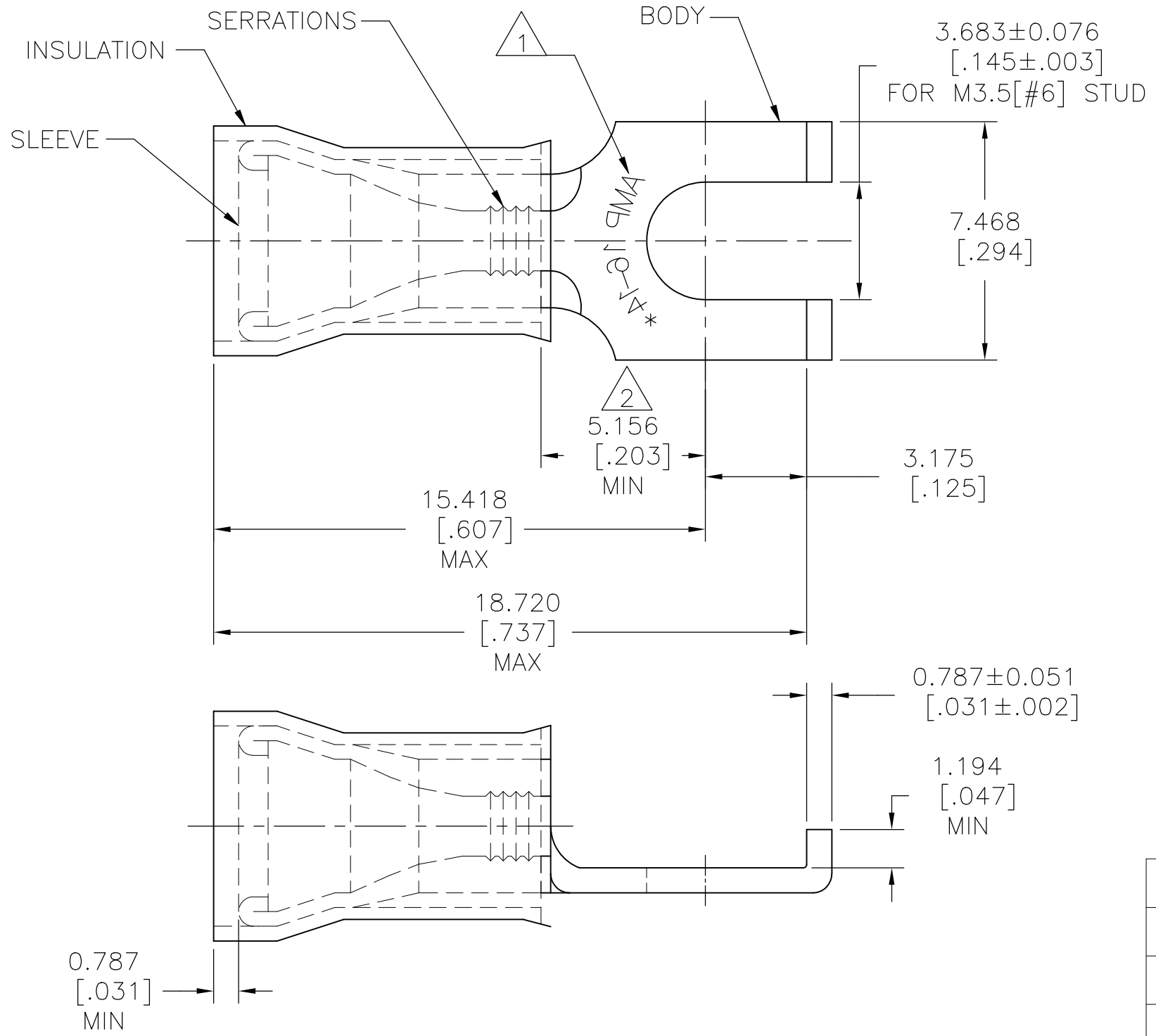


REVISIONS				
P	LTR	DESCRIPTION	DATE	APVD
P2		REVISED PER ECO-17-008114	13JUN2018	RS DR



AMP WIRE RANGE	E13288 Listed	LR7189 Certified
16-14 AWG SOLID OR STRANDED	16-14 AWG SOLID OR STRANDED	16-14 AWG SOLID OR STRANDED

- 1 STAMP AMP 16-14* APPROX AS SHOWN
- 2 APPLIES FROM EDGE OF METAL WIRE BARREL TO CENTER OF STUD
- 3 MATERIAL:
BODY & SLEEVE: COPPER PER ASTM B152
INSULATION: NYLON
- 4 FINISH:
BODY & SLEEVE: TIN PL PER ASTM B545
INSULATION: COLOR - BLUE

QTY	PACKAGE TYPE	WIRE INS. DIA.	PART NO
100	LOOSE PC, BOX	2.921[.115] TO 4.318[.170]	8-320861-1
1000	LOOSE PIECE	2.667[.105] TO 3.810[.150]	2-320861-2
5000	ON TAPE, REEL	2.921[.115] TO 4.318[.170]	2-320861-1
1000	LOOSE PIECE	2.921[.115] TO 4.318[.170]	320861

AMP INCORPORATED CUSTOMER SERVICE SYSTEMS		THIS DRAWING IS A CONTROLLED DOCUMENT.		DWN RAVI S 13JUN2018 CHK ROHDE DANIEL F 13JUN2018 APVD ROHDE DANIEL F 13JUN2018		TE Connectivity Ltd.	
FOR ADDITIONAL PRODUCT INFORMATION OR COPIES OF DRAWINGS AND TECHNICAL DOCUMENTS	PRODUCT INFORMATION CENTER 1-800-522-6752	MAX RECOMMENDED OPERATING TEMPERATURE: 105°C[221°F]	DIMENSIONS: mm [INCHES]	TOLERANCES UNLESS OTHERWISE SPECIFIED:	NAME TERMINAL, P.I.D.G. NYLON FLANGED SPADE WIRE SIZE: 16-14 AWG		
FOR APPLICATION TOOLING INFORMATION	TOOLING ASSISTANCE CENTER 1-800-722-1111	VOLTAGE RATING: 300 V MAX		0 PLC ± - 1 PLC ± - 2 PLC ± - 3 PLC ± 0.127[.005] 4 PLC ± -	PRODUCT SPEC UL 486 A-B	SIZE A3	CAGE CODE 00779
FOR ORDER ENTRY	1-800-526-5142	WIRE CROSS SECTIONAL AREA RANGE, 1.04-2.62mm²[2,050-5,180] CIR MILS SOLID OR STRANDED	MATERIAL 3	FINISH 4	APPLICATION SPEC 114-2157	DRAWING NO C-320861	RESTRICTED TO -
CUSTOMER DRAWING				SCALE NTS	SHEET 1 OF 1	REV P2	