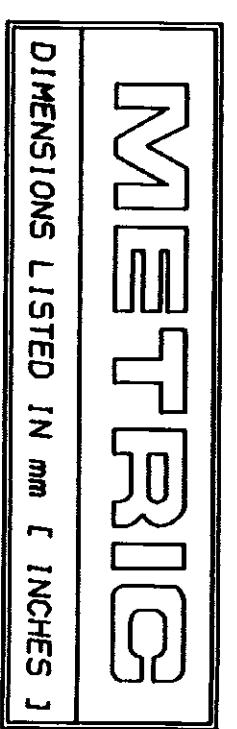
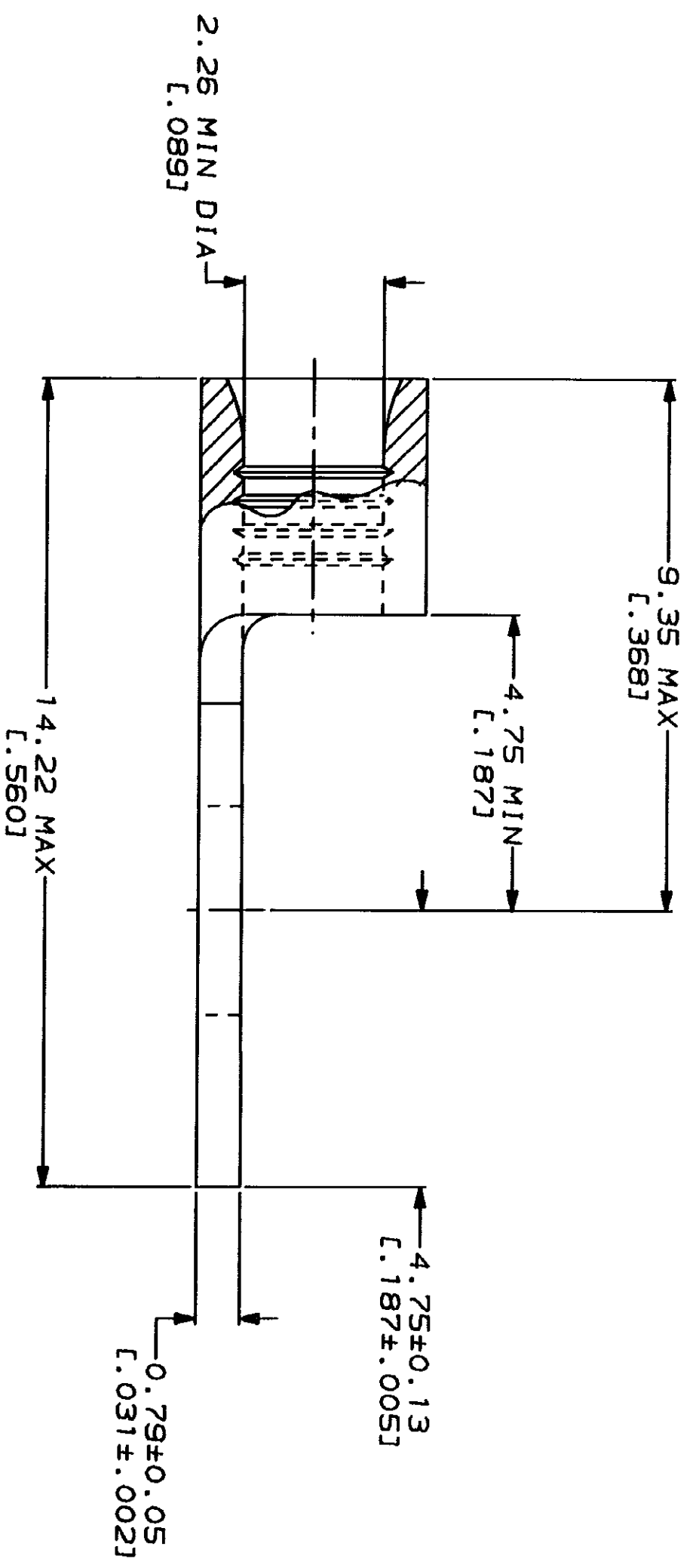
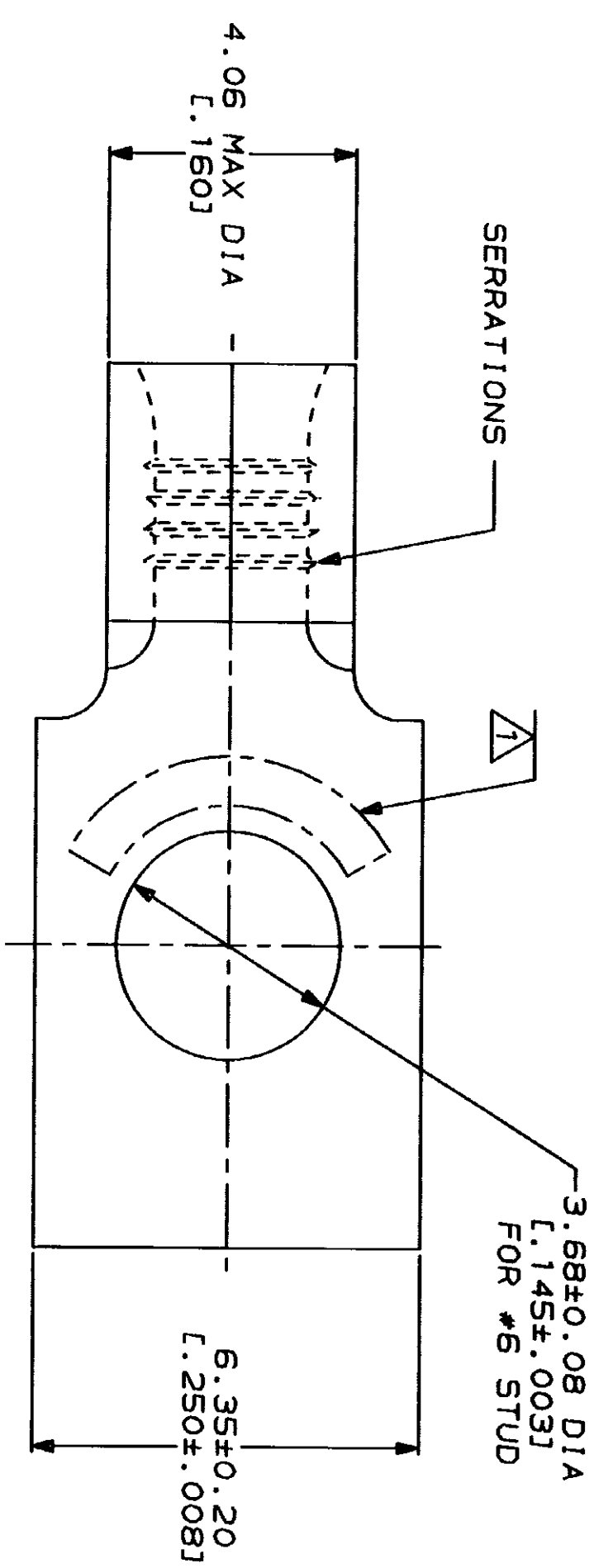


LOC	DIST	REV	ZONE	LTR	DESCRIPTION	DATE	APPD
G	14		A		REVISED PER 0720-0230-93	2/28/94	AMP



AMP WIRE RANGE	IL E13288 Listed
16-14 AWG STRANDED	16-14 AWG STRANDED
LR7189 Certified	MILITARY P/N AND CLASS
NOT CERTIFIED	NOT APPLICABLE

△ STAMP AMP 16-14* APPROX AS SHOWN



AMP INCORPORATED
 CUSTOMER SERVICE SYSTEMS

FOR ADDITIONAL
 PRODUCT INFORMATION OR
 COPIES OF DRAWINGS
 AND TECHNICAL DOCUMENTS
 1-800-522-6752

FOR APPLICATION
 TOOLING INFORMATION
 1-800-722-1111

FOR ORDER ENTRY
 1-800-526-5142

MAX RECOMMENDED OPERATING
 TEMPERATURE:
 170°C MAX

VOLTAGE RATING:
 NOT APPLICABLE

WIRE CROSS SECTIONAL AREA RANGE:
 1.04-2.62mm² [2,050-5,180] CIR MILS
 STRANDED

DO NOT SCALE PRINT.
 UNLESS SPECIFIED
 DIMENSIONS IN INCHES
 TOLERANCES ON:
 2 PLG DEC ± .005
 3 PLG DEC ± .002
 ANGLES
 MATERIAL
 COPPER PER
 ASTM B-152
 ANNEALED

FINISH
 TIN PLATE
 0.00254 [L.000100] MIN
 THK PER MIL-T-10727

DR 1-28-93
 TA BRILKMAN

CHK 1-28-93
 DA PATTERSON

APPD 1-28-93
 DE MILLER

APPD 1-28-93
 JL HECKLEY

PRODUCT SPEC

AMP
 Amp Incorporated
 Harrisburg, PA 17105-3608

TERMINAL, RECTANGULAR
 TONGUE, BUDGET

SIZE
 CAGE CODE 00779
 DRAWING NO
 320814

SCALE 10:1

SHEET 1 OF 1