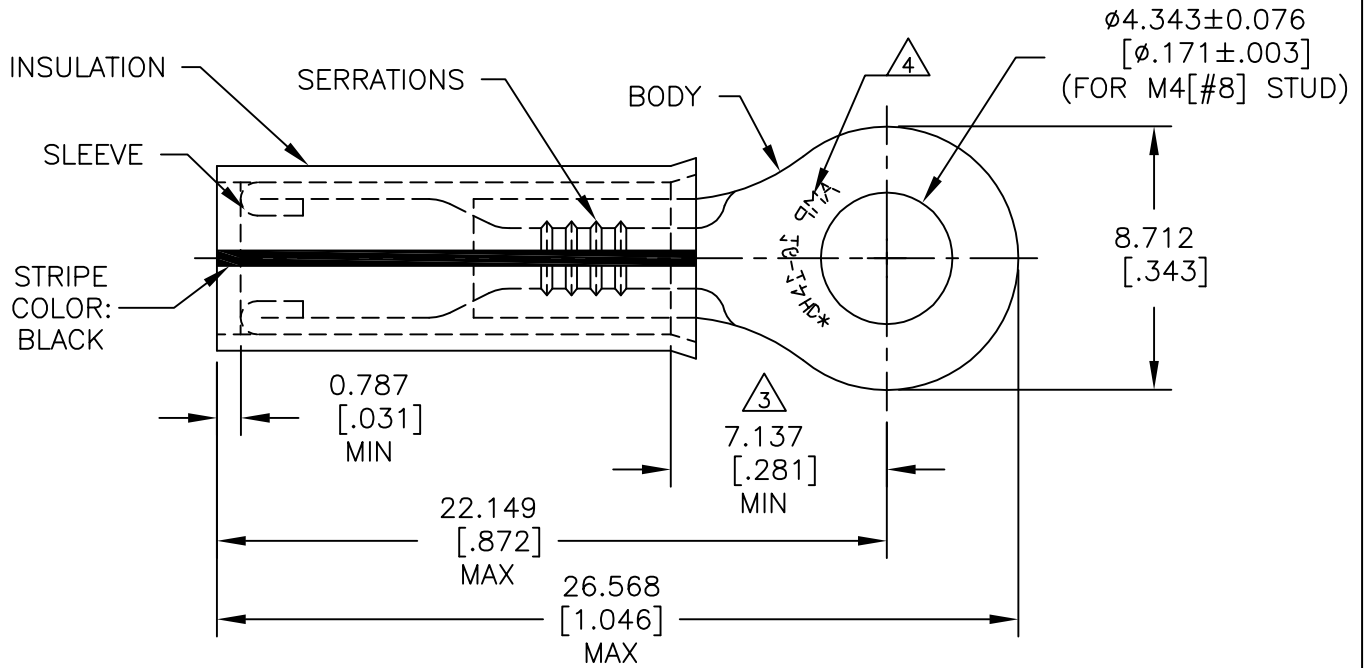


REVISIONS					
P	LTR	DESCRIPTION	DATE	DWN	APVD
	H1	REDRAWN PER ECO-17-007400	12DEC2017	RS	DR

AMP WIRE RANGE	Listed FILE E13288	LR7189 Certified
16-14 AWG SOLID OR STRANDED	16-14 AWG SOLID OR STRANDED	16-14 AWG SOLID OR STRANDED



1 FOR $\phi 3.810[\phi .150]$ TO $\phi 5.842[\phi .230]$ WIRE INSULATION.

2 BODY MATERIAL THICKNESS: $1.219 \pm 0.051[.048 \pm .002]$

3 APPLIES FROM EDGE OF METAL WIRE BARREL TO CENTER OF STUD HOLE.

4 STAMP AMP 16-14* APPROX AS SHOWN.

5 MATERIAL:
BODY & SLEEVE: COPPER PER ASTM B152
INSULATION: NYLON PER ASTM D4066, TYPE I.

6 FINISH:
BODY & SLEEVE: TIN PLATE PER ASTM B545
INSULATION: COLOR-YELLOW.

2500	ON TAPE	1-320627-0
500	LOOSE PIECE	320627
QTY.	PACKAGE TYPE	PART NO.

RELEASED FOR PUBLICATION

ALL RIGHTS RESERVED.

TE Connectivity Ltd.

THIS DRAWING IS UNPUBLISHED.

DIMENSIONS: mm [INCHES]	DWN RAVI S	12DEC2017	MATERIAL	5	FINISH	6
	CHK ROHDE DANIEL F	12DEC2017	TE Connectivity WIRE TERMINAL, P.I.D.G-RING TONGUE, WIRE SIZE: 16-14 AWG HD			
TOLERANCES UNLESS OTHERWISE SPECIFIED:	APVD ROHDE DANIEL F	12DEC2017				
0 PLC ± -	PRODUCT SPEC	UL 486 A-B	NAME	WIRE TERMINAL, P.I.D.G-RING TONGUE, WIRE SIZE: 16-14 AWG HD		
1 PLC ± -	APPLICATION SPEC	114-2157	SIZE	CAGE CODE	DRAWING NO	RESTRICTED TO
2 PLC ± -	WEIGHT	-	A4	00779	C= 320627	-
3 PLC ± 0.127[.005]	CUSTOMER DRAWING					
4 PLC ± -	SCALE 4:1			SHEET 1 OF 1		REV H1
ANGLES ± -						