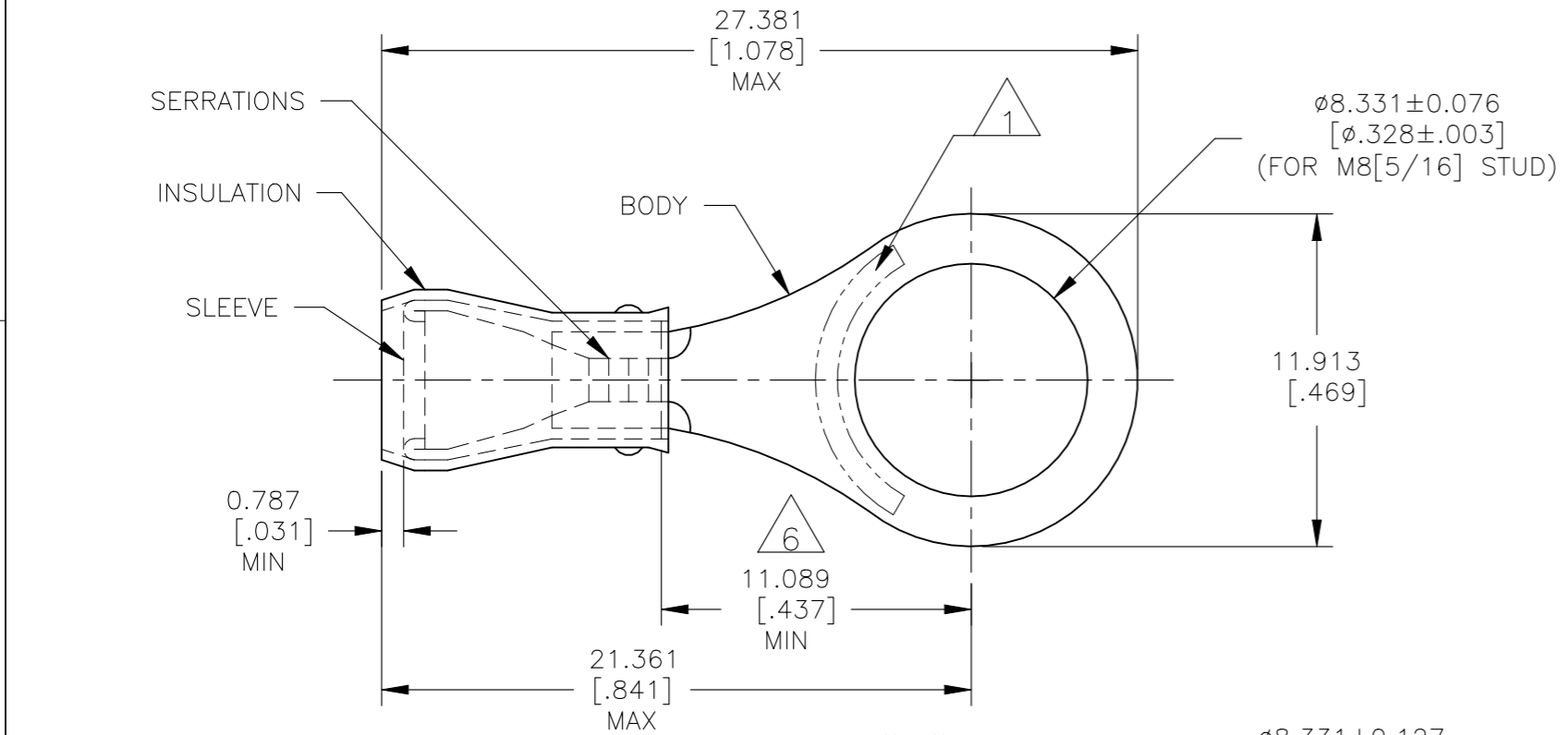


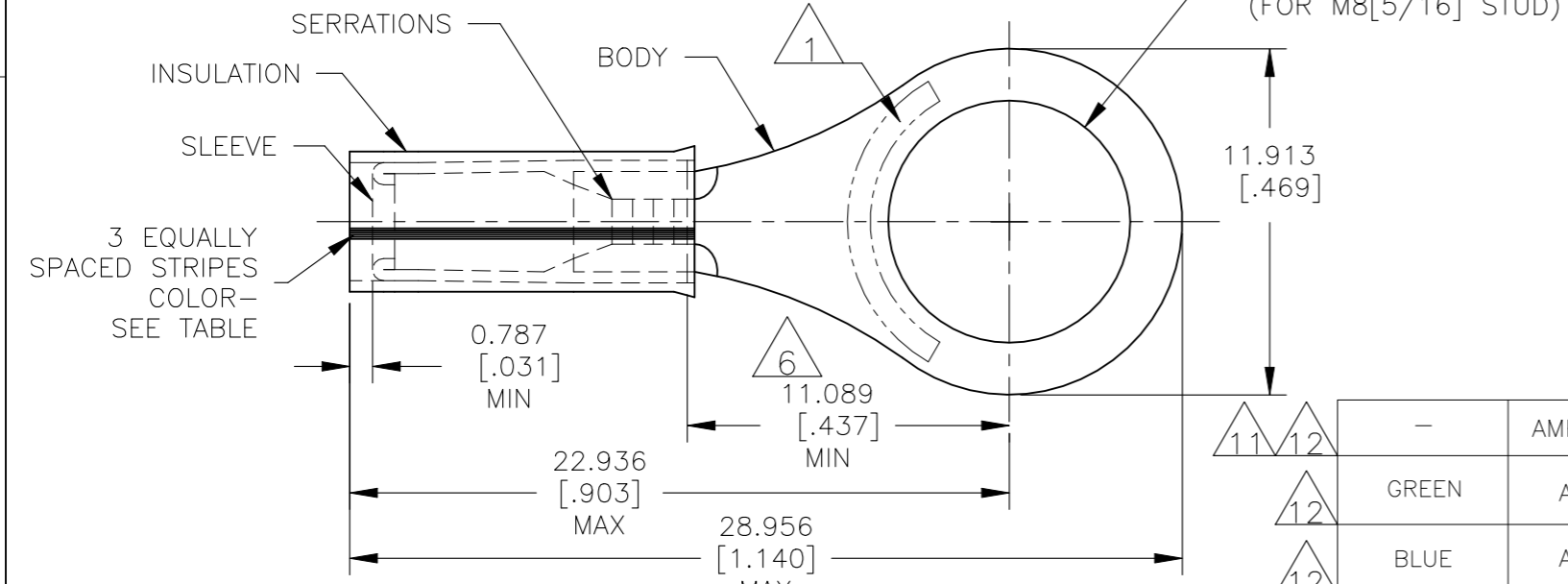
| REVISIONS |     |                           |           |     |      |
|-----------|-----|---------------------------|-----------|-----|------|
| P         | LTR | DESCRIPTION               | DATE      | DWN | APVD |
|           | S4  | REVISED PER ECN-22-156403 | 03JUN2022 | RK  | CSD  |

|  |                       |  |
|--|-----------------------|--|
| <b>AMP</b><br>WIRE RANGE                       | Listed<br>FILE E13288 | LR7189<br>Certified                            |
| 16-14 AWG<br>SOLID OR STRANDED<br>IR: STRANDED | 16-14 AWG<br>STRANDED | 16-14 AWG<br>SOLID OR STRANDED<br>IR: STRANDED |

- STAMP (SEE TABLE) APPROX AS SHOWN.
- 2 WIRE INSULATION DIA: SEE TABLE.
- 3 BODY MATERIAL THK: 0.787±0.051[.031±.002]
- BODY & SLEEVE: TIN PLATE PER ASTM B545  
INSULATION: NYLON ASTM D4066, TYPE 1.
- BODY & SLEEVE- COPPER PER ASTM B152  
INSULATION - COLOR - BLUE.
- APPLIES FROM EDGE OF METAL WIRE BARREL  
TO CENTER OF STUD HOLE.
- MEETS MS25036-109, CLASS 1.
- 8 NOTE DELETED
- MEETS M7928/1-44, CLASS 1.
- MEETS M7928/1-53, CLASS 1.
- UL LISTED
- CSA CERTIFIED



STYLE "A"



STYLE "B"  
INSULATION RESTRICTING

| AMP               | WIRE RANGE | INSULATION DIA         | WIRE SIZE | STYLE | QTY  | PACKAGE TYPE                          | PART NO    |
|-------------------|------------|------------------------|-----------|-------|------|---------------------------------------|------------|
| -                 | AMP 16-14* | 2.667-3.810[.105-.150] | 16-14     | "A"   | 4000 | ON TAPE                               | 2-320575-1 |
| GREEN             | AMP 14*    | 1.981-3.302[.078-.130] | 14        | "B"   | 1000 | INSULATION RESTRICTING<br>LOOSE PIECE | 2-320575-3 |
| BLUE              | AMP 16*    | 1.600-3.302[.063-.130] | 16        | "B"   | 1000 | INSULATION RESTRICTING<br>LOOSE PIECE | 2-320575-2 |
| -                 | AMP 16-14* | 2.667-3.810[.105-.150] | 16-14     | "A"   | 1000 | LOOSE PIECE                           | 320575     |
| COLOR CODE STRIPE | STAMPING   | WIRE INS. DIA          | WIRE SIZE | STYLE | QTY  | PACKAGE TYPE                          | PART NO    |

|  |  |   |  |   |                                   |   |                    |                        |                    |
|--|--|---|--|---|-----------------------------------|---|--------------------|------------------------|--------------------|
| <b>AMP INCORPORATED<br/>CUSTOMER SERVICE SYSTEMS</b>                             |  | MAX RECOMMENDED OPERATING TEMPERATURE:<br>105°C [221°F]   | THIS DRAWING IS A CONTROLLED DOCUMENT. |   | DWN<br>JR RUTH<br>09SEPT09        | TE Connectivity   |                    |                        |                    |
| FOR ADDITIONAL PRODUCT INFORMATION OR COPIES OF DRAWINGS AND TECHNICAL DOCUMENTS | PRODUCT INFORMATION CENTER<br>1-800-522-6752 | VOLTAGE RATING:<br>300 V MAX  | DIMENSIONS:<br>mm [INCHES]             | TOLERANCES UNLESS OTHERWISE SPECIFIED:  | CHK<br>T MICHIELUTTI<br>09SEPT09  |   |                    | NAME                   |                    |
| FOR APPLICATION TOOLING INFORMATION  | TOOLING ASSISTANCE CENTER<br>1-800-722-1111  | CIRCULAR MIL AREA:<br>1.04-2.62mm² [2,050-5,180]<br>SOLID OR STRANDED   |  | 0 PLC ± -<br>1 PLC ± -<br>2 PLC ± -<br>3 PLC ± 0.127[.005]<br>4 PLC ± -<br>ANGLES ± - | APVD<br>T MICHIELUTTI<br>09SEPT09 | TERMINAL, RING TONGUE,<br>PIDG (16-14 AWG)<br>PIDG IR (16 & 14 AWG) |                    |                        |                    |
| FOR ORDER ENTRY  | 1-800-526-5142                               | THIS DRAWING IS A CONTROLLED DOCUMENT FOR AMP INCORPORATED. IT IS SUBJECT TO CHANGE AND THE CONTROLLING ENGINEERING ORGANIZATION SHOULD BE CONTACTED FOR THE LATEST REVISION. | MATERIAL                               | FINISH  | PRODUCT SPEC<br>UL 486 A-B        | SIZE<br>A3  | CAGE CODE<br>00779 | DRAWING NO<br>C-320575 | RESTRICTED TO<br>- |
|  |  |   | CUSTOMER DRAWING                       |   | WEIGHT<br>-                       | SCALE<br>4:1  | SHEET<br>1 OF 1    | REV<br>S4              |                    |