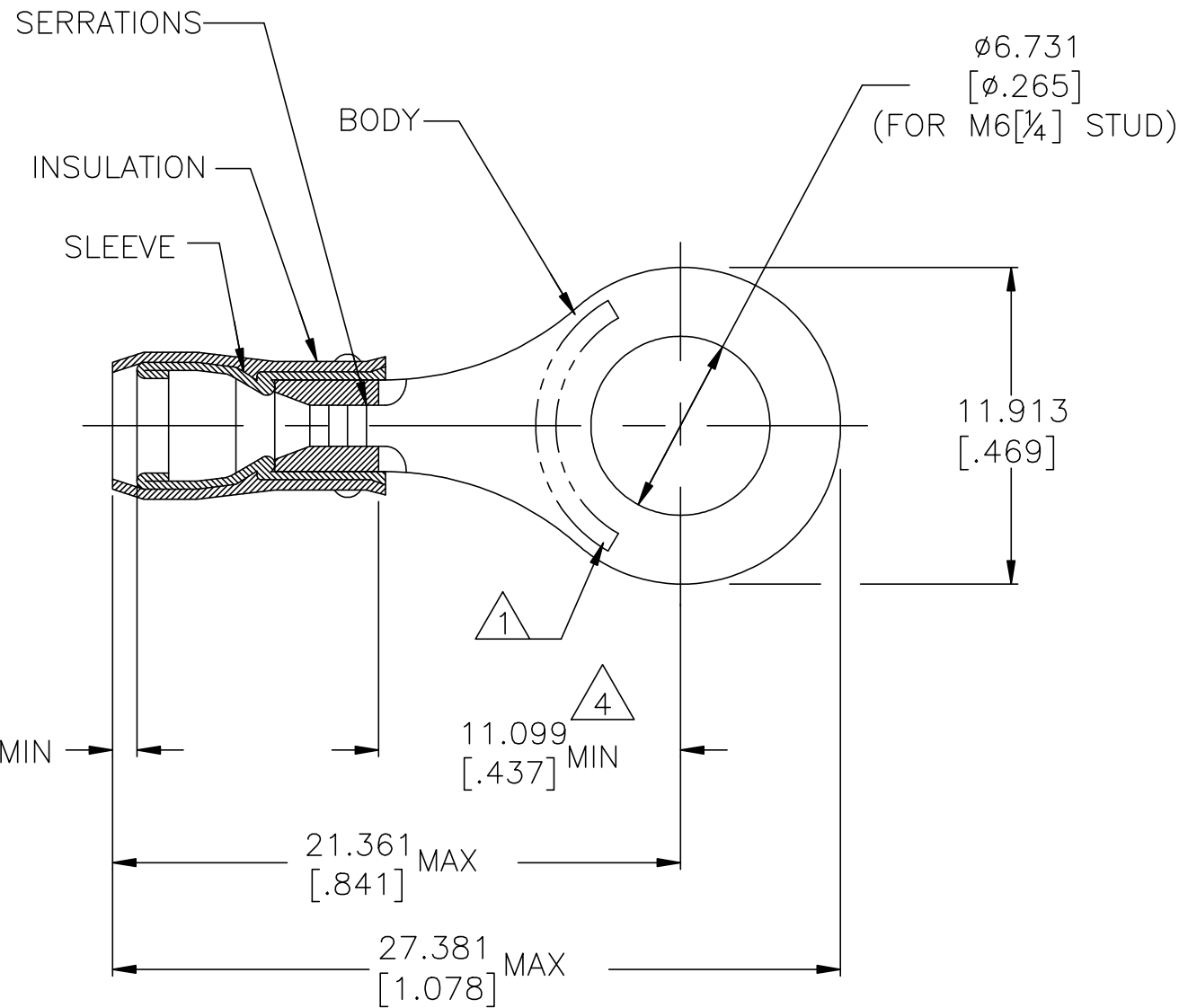


© - TE Connectivity. All Rights Reserved.

REVISIONS

P	LTR	DESCRIPTION	DATE	DWN	APVD
	AC	REVISED PER ECR-23-175984	31MAY2023	BB	DSC



<b>AMP</b> WIRE RANGE	<b>UL</b> E13288 Listed	<b>LR7189</b> Certified
22-16 AWG SOLID OR STRANDED	22-16 AWG STRANDED	22-16 AWG SOLID OR STRANDED

- 1 STAMP AMP 22-18\* APPROX AS SHOWN  
22-16 TERMINALS ARE STAMPED 22-18 IN  
ACCORDANCE WITH MILITARY SPEC SAE AS7928  
COMMERCIAL WIRE RANGE IS 22-16.
- 2 WIRE INSULATION DIA:  $\phi 2.032-3.175[\phi .080-.125]$ .
- 3 BODY MATERIAL THK:  $0.787 \pm 0.051[.031 \pm .002]$ .
- 4 APPLIES FROM EDGE OF METAL WIRE BARREL TO  
CENTER OF STUD HOLE.
- 5 UL LISTED
- 6 CSA CERTIFIED
- 7 MATERIAL:  
BODY & SLEEVE - COPPER PER ASTM B152  
INSULATION - NYLON
- 8 FINISH:  
BODY & SLEEVE - TIN PLATE  $0.00254[.000100]$  MIN EXT THK PER ASTM B545  
INSULATION COLOR - RED

5 6	-	100	LOOSE PIECE, BOX	8-320571-1
5 6	-	5000	ON TAPE, REEL	2-320571-2
5 6	MS25036-150 CLASS 1	1000	LOOSE PIECE	320571
	MILITARY P/N AND CLASS	QUANTITY	PACKAGE TYPE	PART NO

AMP INCORPORATED  
CUSTOMER SERVICE SYSTEMS

MAX RECOMMENDED OPERATING  
TEMPERATURE:  
105°C[221°F] MAX

THIS DRAWING IS A CONTROLLED DOCUMENT.

DWN DK SCHRUM 9/8/93

**TE** TE Connectivity Ltd.

FOR ADDITIONAL  
PRODUCT INFORMATION OR  
COPIES OF DRAWINGS  
AND TECHNICAL DOCUMENTS

PRODUCT INFORMATION CENTER  
1-800-522-6752

VOLTAGE RATING:  
300 V MAX

DIMENSIONS:  
mm [INCHES]

TOLERANCES UNLESS  
OTHERWISE SPECIFIED:

CHK RE HERSEY 9/8/93

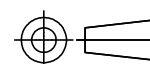
APVD ML ELLIS 9/8/93

NAME  
TERMINAL, RING TONGUE,  
PIDG™, WIRE SIZE: 22-16 AWG

FOR APPLICATION  
TOOLING INFORMATION

TOOLING ASSISTANCE CENTER  
1-800-722-1111

CIRCULAR MIL AREA:  
0.26-1.65mm²[509-3,260] CIR MILS  
SOLID OR STRANDED



0 PLC	± -
1 PLC	± -
2 PLC	± -
3 PLC	± .127[.005]
4 PLC	± -
ANGLES	± -

PRODUCT SPEC  
UL 486A-B 5

APPLICATION SPEC

114-2157

SIZE	CAGE CODE	DRAWING NO	RESTRICTED TO
A3	00779	C=320571	-

FOR ORDER ENTRY  
1-800-526-5142

MATERIAL 7

FINISH 8

WEIGHT -

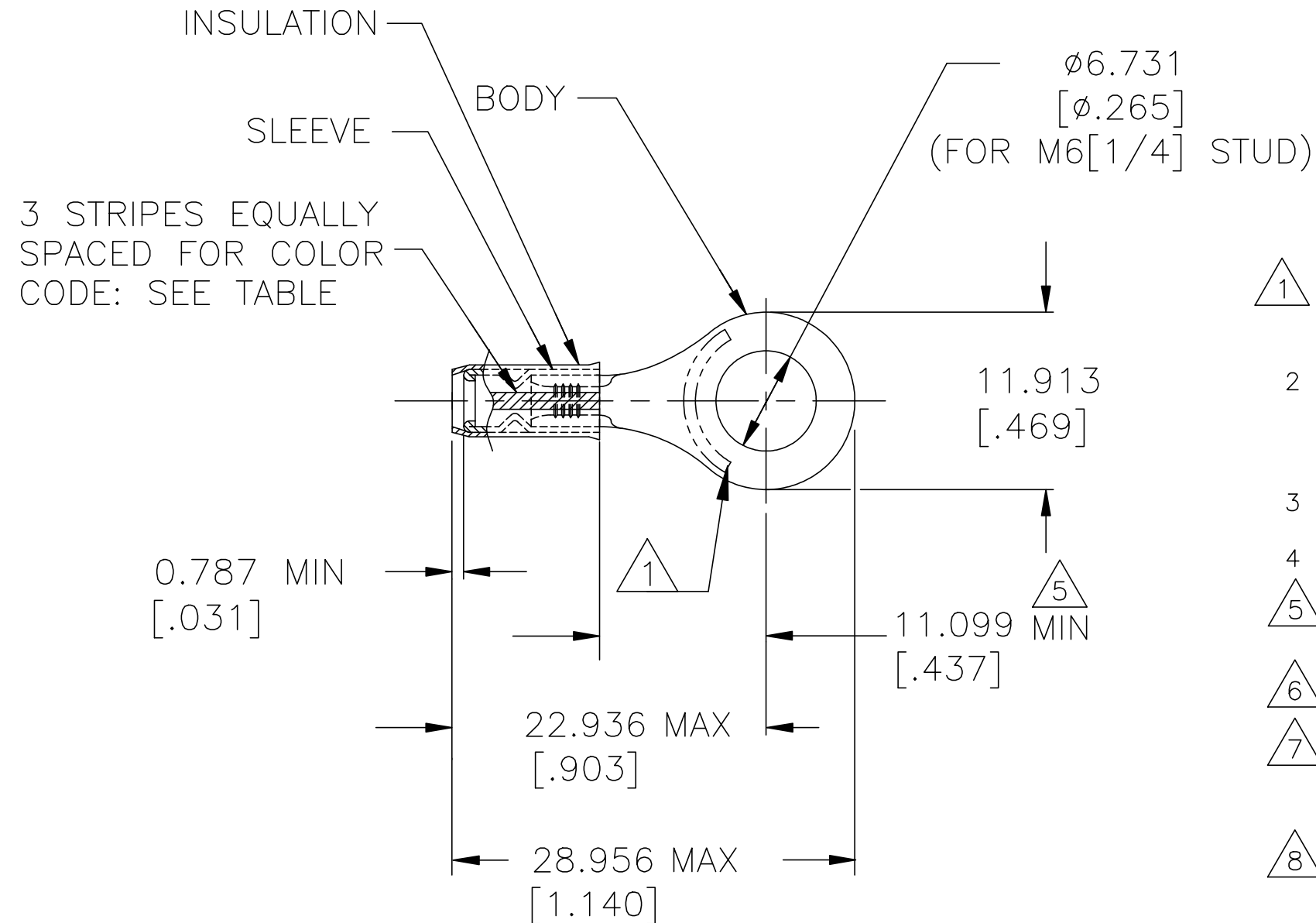
CUSTOMER DRAWING SCALE NTS SHEET 1 of 2 REV AC

REVISIONS				
P	LTR	DESCRIPTION	DATE	APVD
-	-	SEE SHEET 1	-	-

D

C

B



<b>AMP</b> WIRE RANGE	LR7189 Certified
SEE TABLE STRANDED	WIRE SIZE PER TABLE STRANDED

- 1 STAMP AMP APPROX AS SHOWN SEE TABLE BELOW.
- 2 WIRE INSULATION DIA:  $\phi 0.965-2.794[\phi 0.038-.110]$  FOR 22 AWG  
 $\phi 1.168-2.794[\phi 0.046-.110]$  FOR 20 AWG  
 $\phi 1.422-2.794[\phi 0.056-.110]$  FOR 18 AWG.
- 3 BODY MATERIAL THK:  $0.787 \pm 0.051[.031 \pm .002]$ .
- 4 NOTE DELETED.
- 5 APPLIES FROM EDGE OF METAL WIRE BARREL TO CENTER OF STUD HOLE.
- 6 CSA CERTIFIED
- 7 MATERIAL:  
BODY & SLEEVE - COPPER PER ASTM B152  
INSULATION - NYLON
- 8 FINISH:  
BODY & SLEEVE - TIN PLATE  $0.00254[.000100]$   
MIN EXT THK PER ASTM B545  
INSULATION COLOR - RED

	M7928/1-34 CLASS 1	WHITE	18*	18	1000	LOOSE PIECE	2-320571-5	
	M7928/1-25 CLASS 1	RED	20*	20	1000	LOOSE PIECE	2-320571-4	
	M7928/1-16 CLASS 1	GREEN	22*	22	1000	LOOSE PIECE	2-320571-3	
	MILITARY P/N AND CLASS	STRIPE COLOR		STAMPING	WIRE SIZE	QUANTITY	PACKAGE TYPE	PART NO

A

AMP INCORPORATED CUSTOMER SERVICE SYSTEMS		MAX RECOMMENDED OPERATING TEMPERATURE: 105°C [221°F] MAX	THIS DRAWING IS A CONTROLLED DOCUMENT.		DWN DK SCHRUM 9/8/93	TE Connectivity Ltd.					
FOR ADDITIONAL PRODUCT INFORMATION OR COPIES OF DRAWINGS AND TECHNICAL DOCUMENTS	PRODUCT INFORMATION CENTER 1-800-522-6752	VOLTAGE RATING: 300 V MAX	DIMENSIONS: mm [INCHES]	TOLERANCES UNLESS OTHERWISE SPECIFIED:	CHK RE HERSEY 9/8/93			NAME TERMINAL, RING TONGUE, I.R., PIDG™, WIRE SIZE: 22, 20 & 18 AWG			
FOR APPLICATION TOOLING INFORMATION	TOOLING ASSISTANCE CENTER 1-800-722-1111	WIRE RANGE: 22, 20, 18 CIRC MIL AREA: 0.38mm² [754], 0.60mm² [1,186], 0.96mm² [1,900] STRANDED		0 PLC ± - 1 PLC ± - 2 PLC ± - 3 PLC ± .127 [.005] 4 PLC ± - ANGLES ± -	APVD ML ELLIS 9/8/93	APPLICATION SPEC 114-2157	SIZE A3	CAGE CODE 00779	DRAWING NO C-320571	RESTRICTED TO -	
FOR ORDER ENTRY	1-800-526-5142		MATERIAL 	FINISH 	PRODUCT SPEC -	WEIGHT -	CUSTOMER DRAWING		SCALE NTS	SHEET 2 OF 2	REV AC